

# DOUBLE CUT-OFF AND PRESSURE RELIEF VALVE

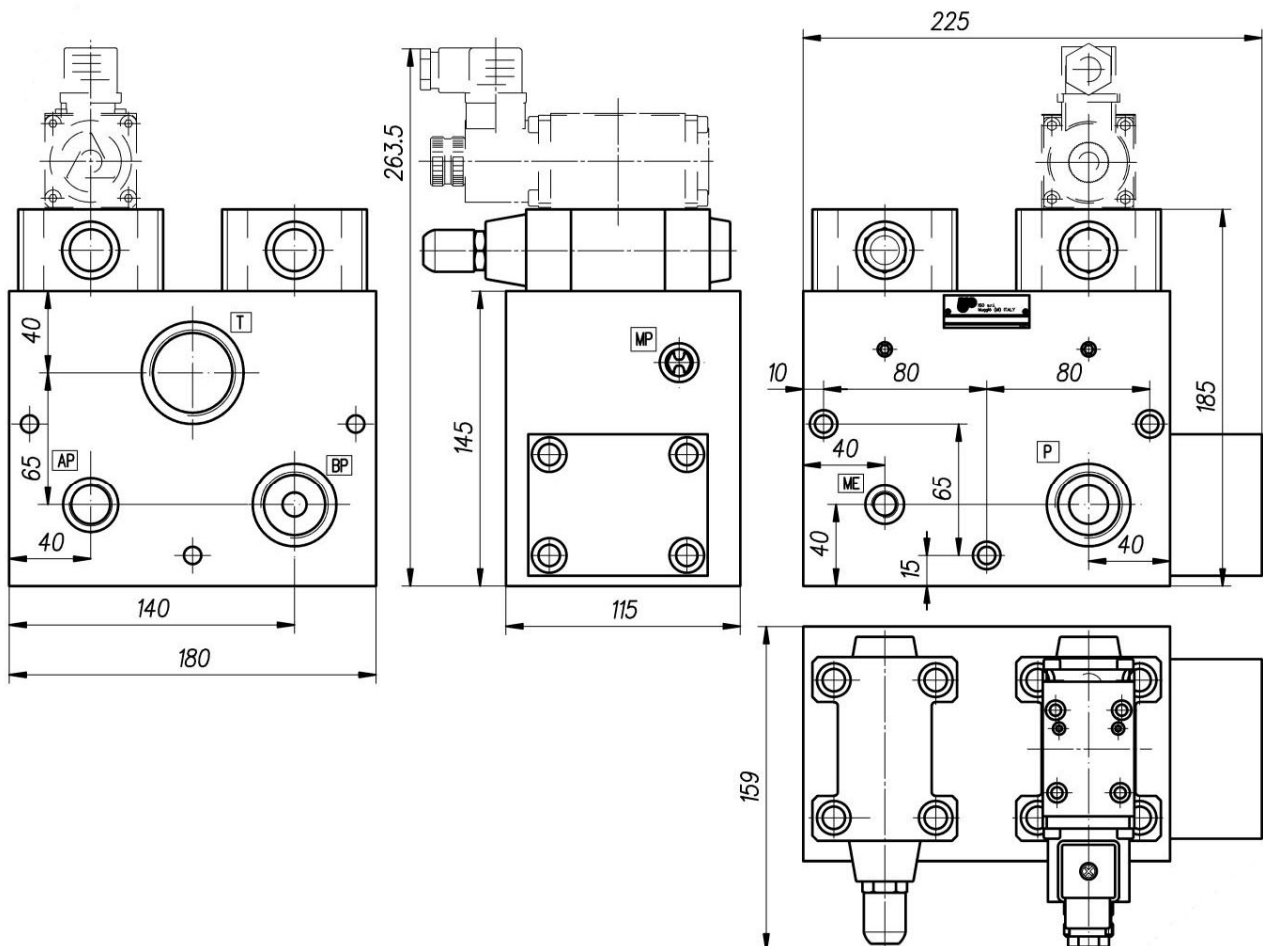
## Characteristics

TYPE	Recommended max flow (l/min)		Pressure range (bar)		Threaded ports (BSP)						Weight kg
	BP	AP	Relief valve AP	Cut-off valve BT	P	AP	BP	T	ME	MP	
VDEM-100	200	45	/100 =07÷100	/100 =07÷100	1"	1/2"	1"	1"1/4	1/4"	1/4"	22.5
			/210 =50÷210	/210 =50÷210							
			/350 =100÷350	/350 =100÷350							

## Description

Double cut-off and pressure relief hydraulic valve. The pressure relief valve can be supplied with venting solenoid valve for pump discharge.

## Dimensions

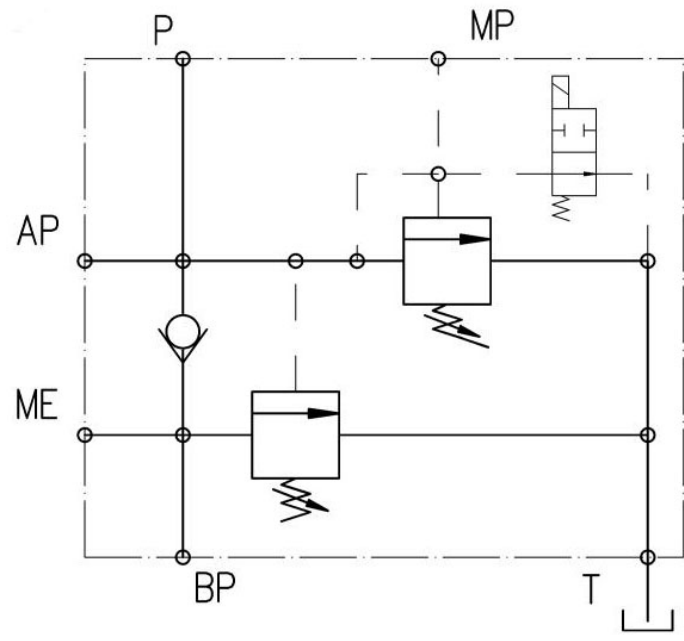


## Installation rules

- The valves type VDEM can be mounted in any position.
- Fluid to be used: hydraulic oil in compliance with DIN 51524 rules, viscosity between 30 and 100 mm<sup>2</sup>/s (cSt) at 40°C
- Recommended filtration: 25µ
- Hydraulic fluid temperature: from -20° to +75°C

# DOUBLE CUT-OFF AND PRESSURE RELIEF VALVE

## Symbol



## Ordering code

