

REDUCING SUBPLATES



Characteristics

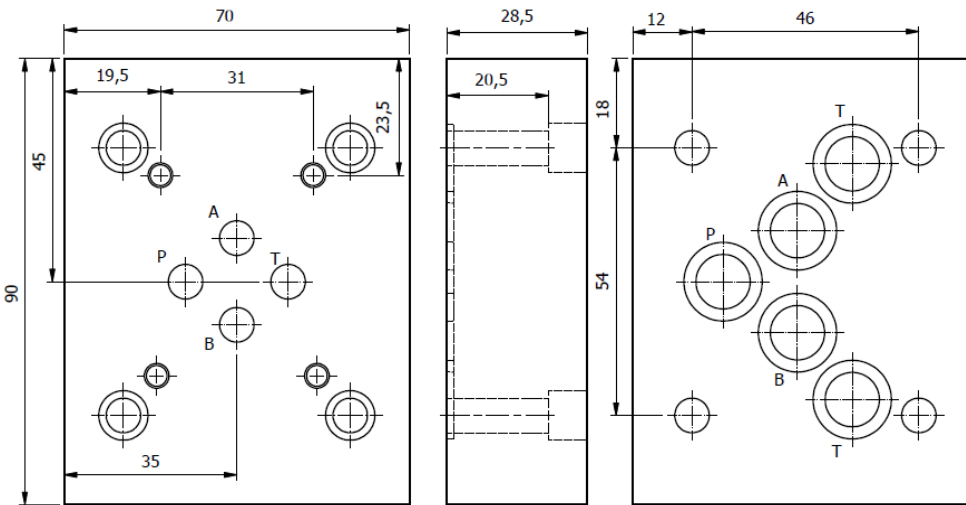
Type	Maximum pressure
PR-**	350 bar

Description

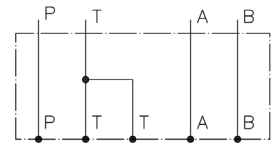
Modular mounting reducing subplate.

Dimensions

PR-03/05



Symbol

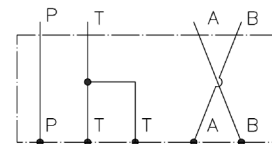
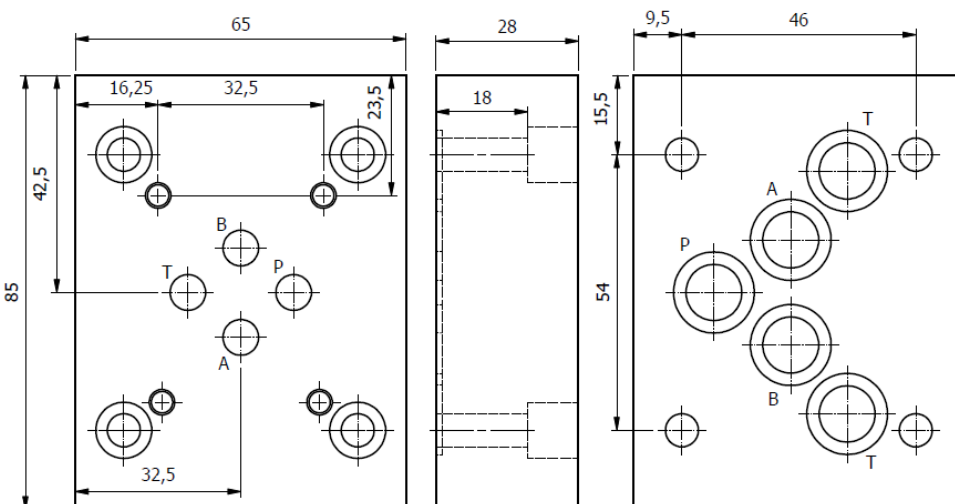


Equipped with:
5 OR-2050 seals

Weight 1.3 Kg

Symbol

PR-05/03



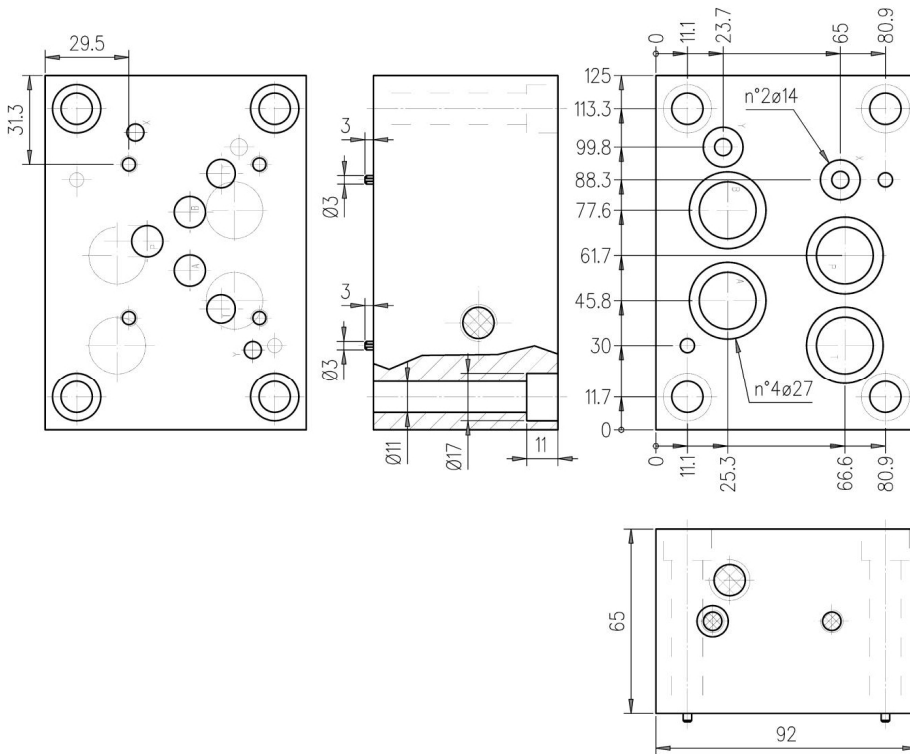
Equipped with:
5 OR-2050 seals

Weight 0.93 Kg



PR-07/05

Symbol

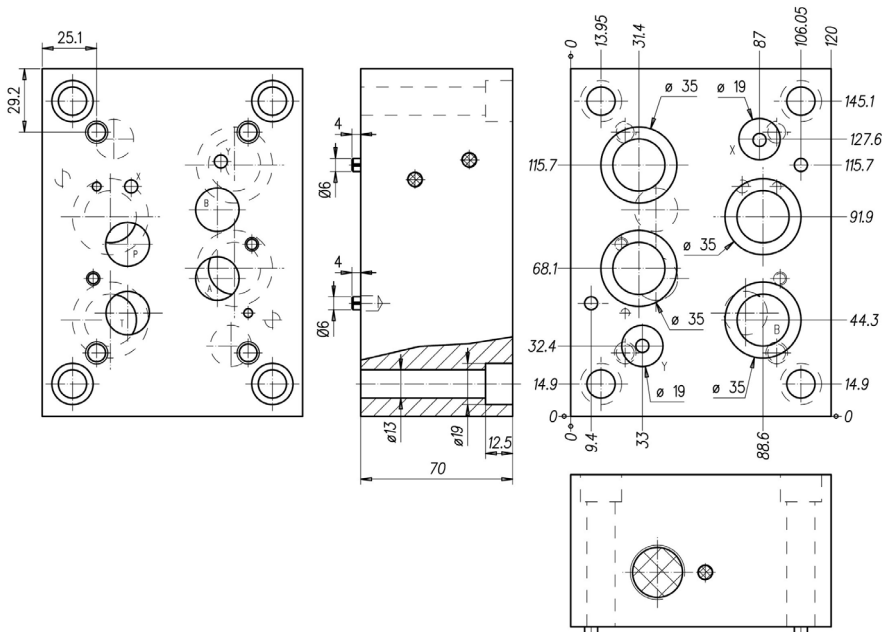


Equipped with:
4 OR-130 seals
2 OR-109 seals

Weight 4 Kg.

PR-08/07

Symbol



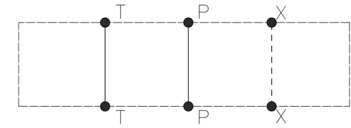
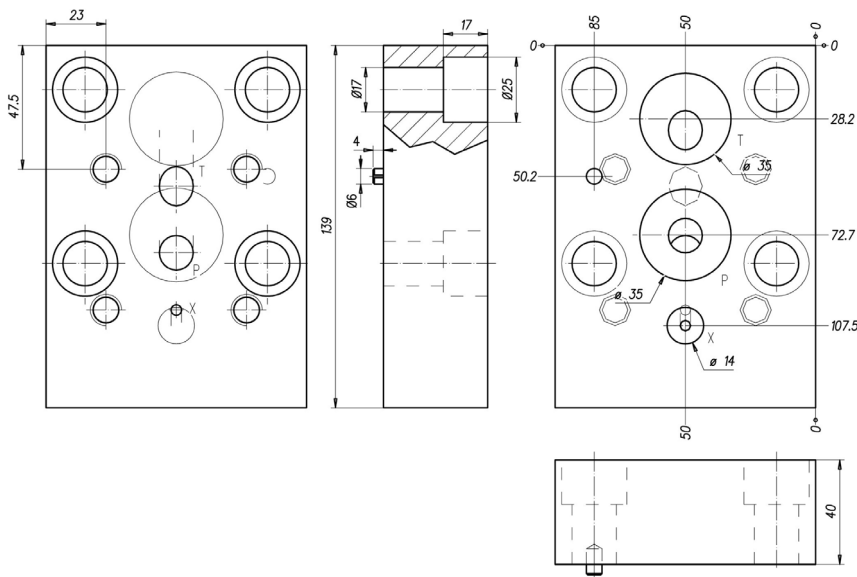
Equipped with:
4 OR-4112 seals
2 OR-3056 seals

Weight 8.2 Kg.



PR-08R/06R

Symbol



Equipped with:
2 OR-4112 seals
1 OR-109 seal

Weight 3.3 Kg.

Installation rules

- The subplates type PR can be mounted in any position
- Fluid to be used: hydraulic oil in compliance with DIN 51524 rules, viscosity between 30 and 100 mm²/s (cSt) at 40°C
- Recommended filtration: 25µ
- Hydraulic fluid temperature: from -20° to +75°C

Ordering code

PR	-	***
		03/05 = Reduction from Cetop-05 a Cetop-03
		05/03 = Reduction from Cetop-05 a Cetop-03 (A e B inverted)
		07/05 = Reduction from Cetop-07 a Cetop-05
		08/07 = Reduction from Cetop-08 a Cetop-07
		08R/06R = Reduction from Cetop-08R a Cetop-06R
Reducing subplate		