



## Characteristics

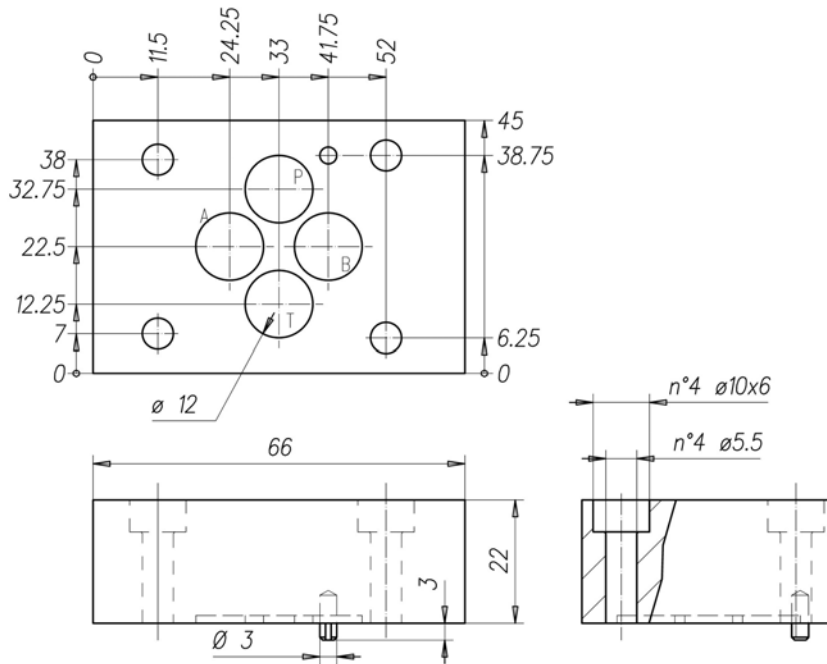
Type	Maximum pressure
PC-**	350 bar

## Description

Modular mounting closing subplate.

## Dimensions

### PC-03



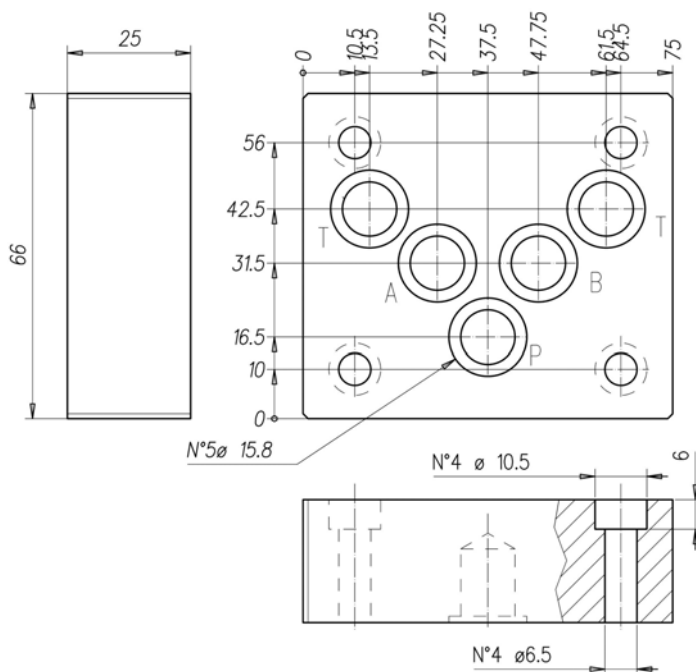
## Symbol



Equipped with:  
4 OR-108 seals

Weight 0.4 Kg.

### PC-05



## Symbol



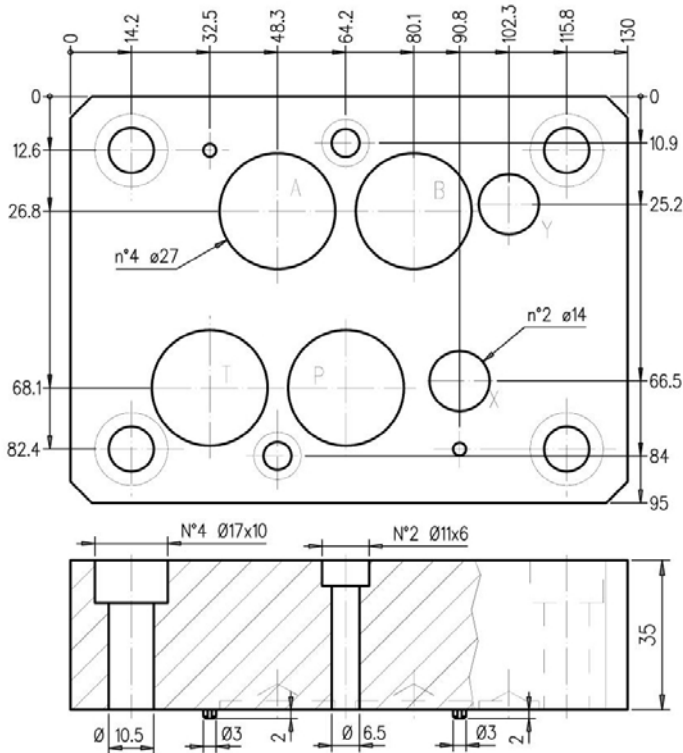
Equipped with:  
5 OR-2050 seals

Weight 0.6 Kg.



## PC-07

Symbol

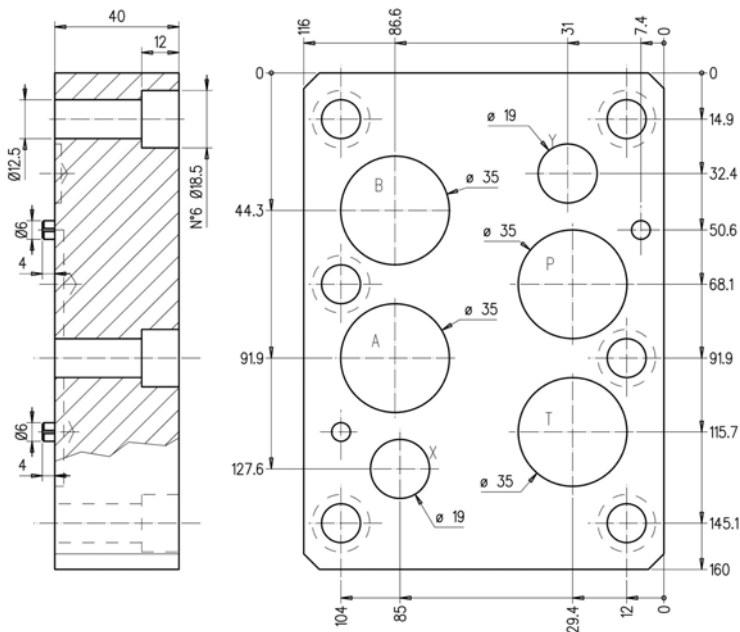


Equipped with:  
4 OR-130 seals  
2 OR-109 seals

Weight 2.8 Kg.

## PC-08

Symbol



Equipped with:  
4 OR-4112 seals  
2 OR-3056 seals

Weight 5 Kg.



## Installation rules

- The subplates type PC can be mounted in any position
- Fluid to be used: hydraulic oil in compliance with DIN 51524 rules, viscosity between 30 and 100 mm<sup>2</sup>/s (cSt) at 40°C
- Recommended filtration: 25μ
- Hydraulic fluid temperature: from -20° to +75°C

## Ordering code

PC - \*\*\*

**03** = CETOP-03 size

**05** = CETOP-05 size

**07** = CETOP-07 size

**08** = CETOP-08 size

Closing subplate