

HIGH-LOW PRESSURE CONTROL VALVE WITH CETOP-07 SIZE CONNECTION

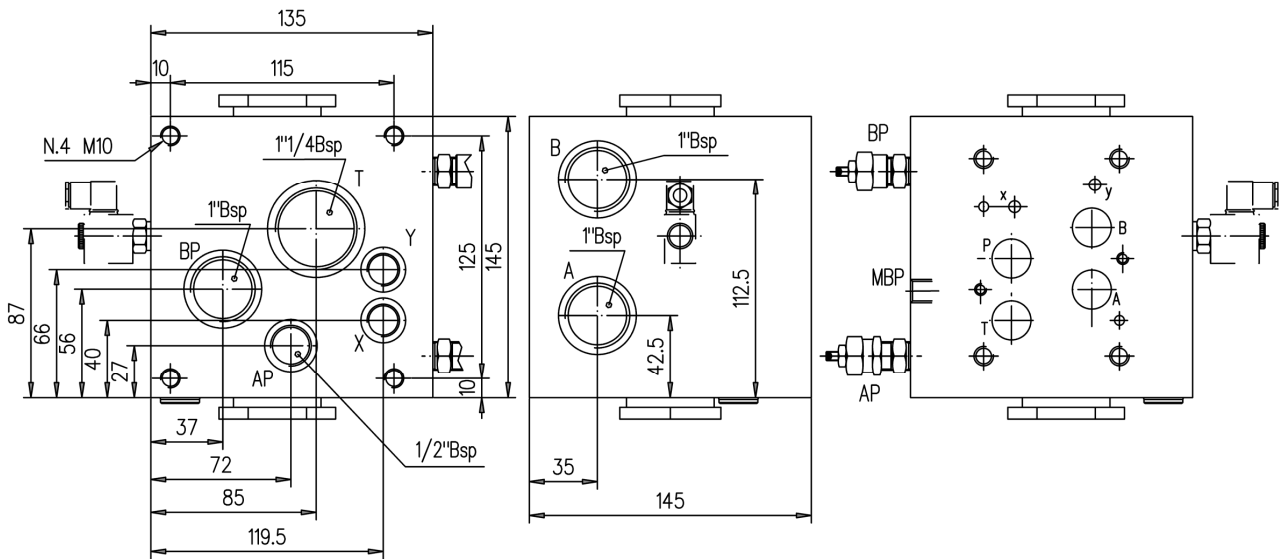


Characteristics

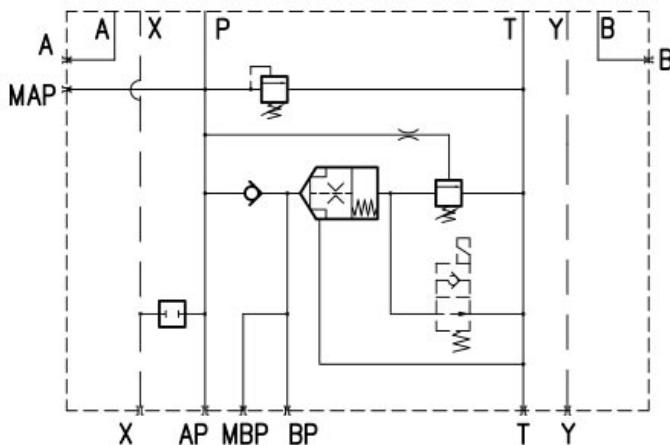
TYPE	A-B SIDE PORTS	A-P REAR PORTS	B-P REAR PORTS	T REAR PORTS	NOMINAL SIZE	MAX PRESSURE
VABP-100-07	1" BSP	1/2" BSP	1" BSP	1" 1/4 BSP	300 Lt./min.	300 Bar

Description High-low pressure control valve with Cetop-07 size connection. The valve can be supplied equipped with vent-hole valve.

Dimensions



Symbol



Installation rules

- The valves type VAPB can be mounted in any position
- Fluid to be used: hydraulic oil in compliance with DIN 51524 rules, viscosity between 30 and 100 mm²/s (cSt) at 40°C
- Recommended filtration: 25µ
- Hydraulic fluid temperature: from -20° to +75°C

Ordering code

