

# CETOP-05 SIZE MODULAR SUBPLATES



## Characteristics

Type	Maximum pressure
SBM-05/*	250 bar

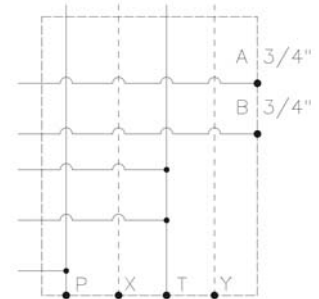
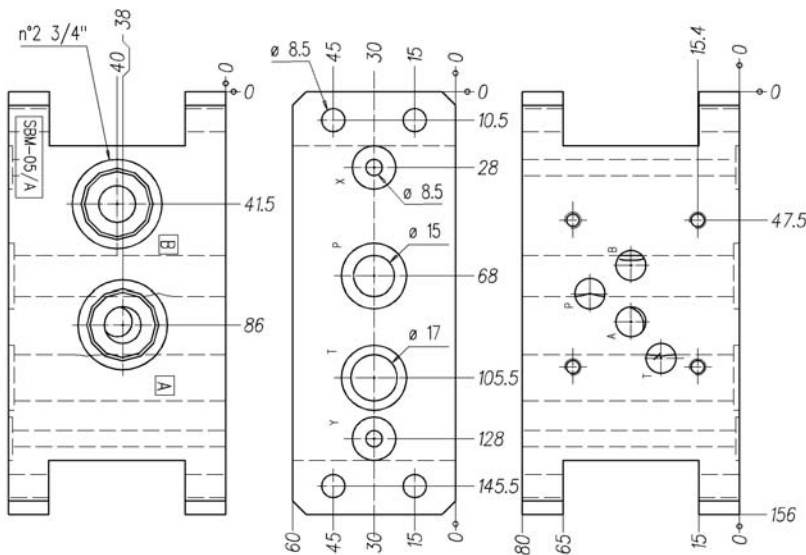
## Description

Cetop-05 size modular mounting subplate.

## Dimensions

### SBM-05/A

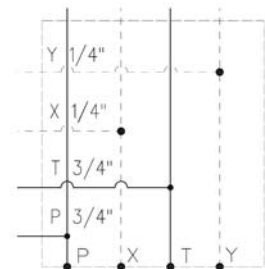
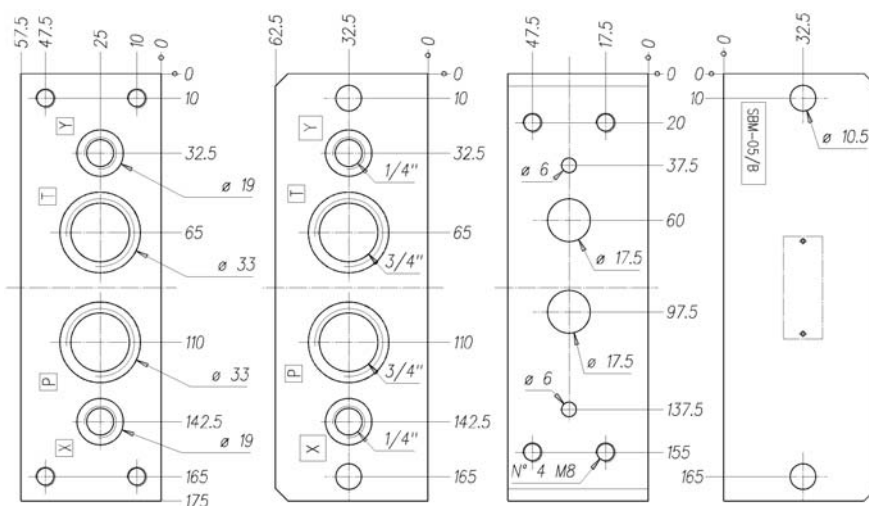
### Symbol



Equipped with:  
 2 OR-3075 seals  
 2 OR-2050 seals  
 Weight 3.8 Kg.

### SBM-05/B

### Symbol



Equipped with:  
 2 3/4" caps  
 2 1/4" caps

Weight 3.6 Kg.

# CETOP-05 SIZE MODULAR SUBPLATES



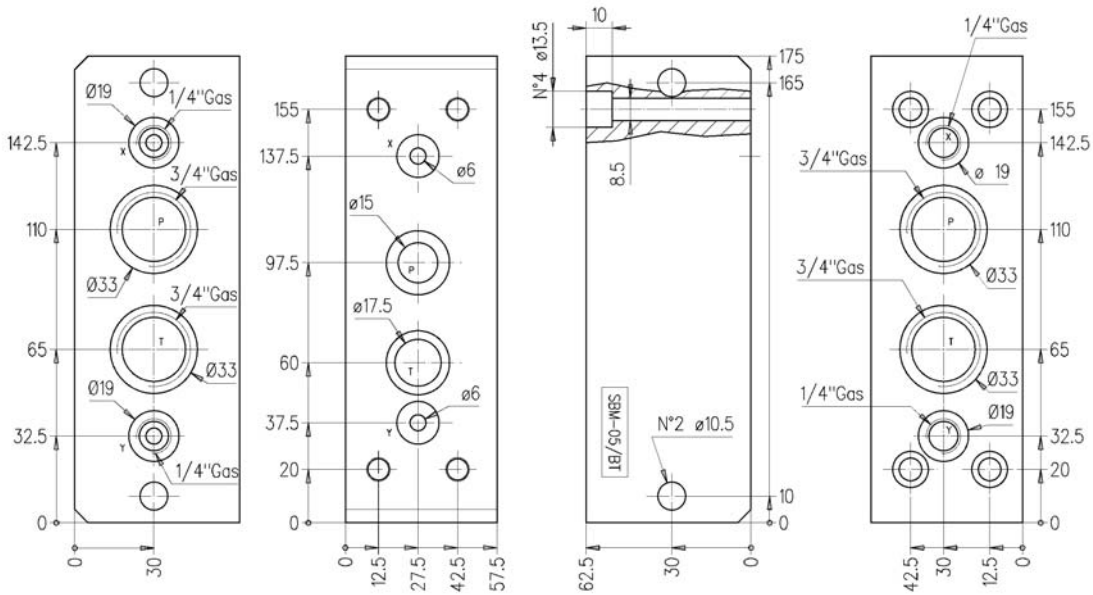
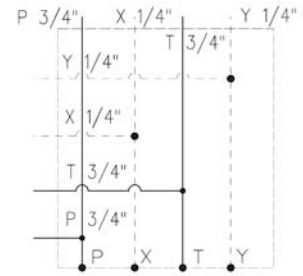
## SBM-05/BT

Symbol

Equipped with:

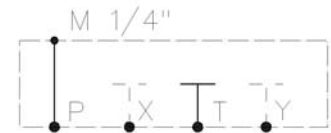
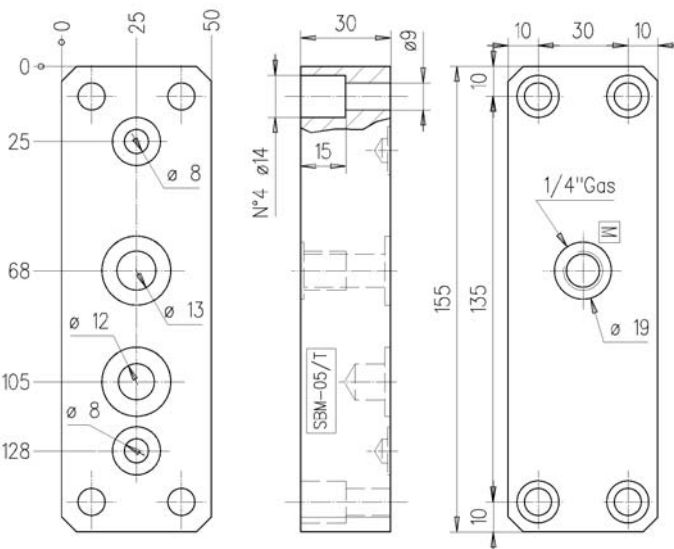
- 2 3/4" caps
- 2 1/4" caps
- 2 OR-3075 seals
- 2 OR-2050 seals

Weight 3.6 Kg.



## SBM-05/T

Symbol



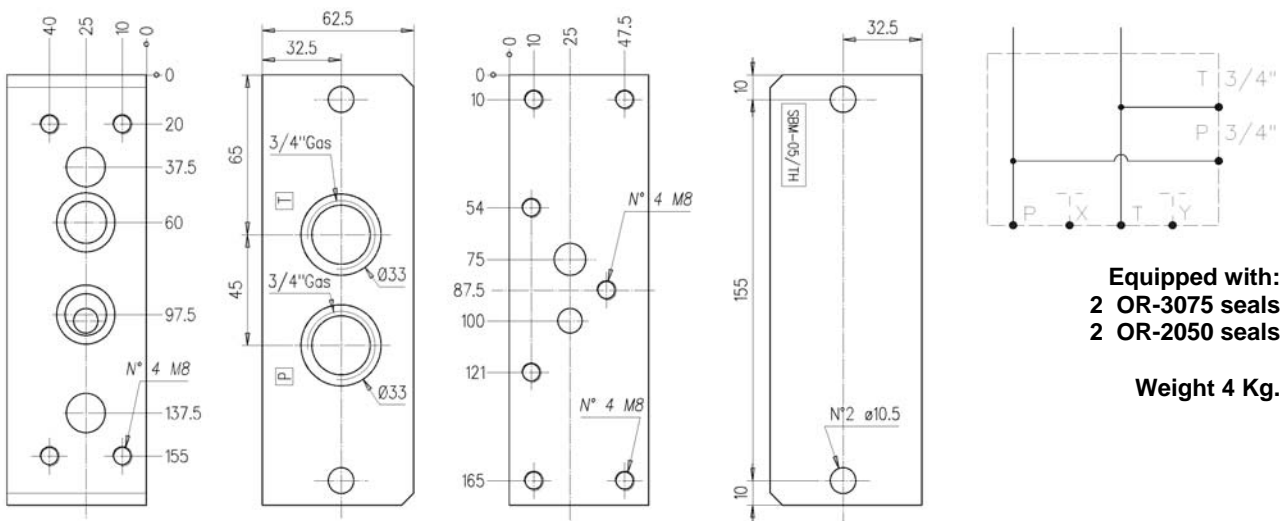
- Equipped with:
- 2 OR-3075 seals
  - 2 OR-2050 seals

Weight 1.5 Kg.



## SBM-05/TH

Symbol



Equipped with:  
 2 OR-3075 seals  
 2 OR-2050 seals  
 Weight 4 Kg.

### Installation rules

- The subplates type SBM can be mounted in any position
- Fluid to be used: hydraulic oil in compliance with DIN 51524 rules, viscosity between 30 and 100 mm<sup>2</sup>/s (cSt) at 40°C
- Recommended filtration: 25µ
- Hydraulic fluid temperature: from -20° to +75°C

### Ordering code

SBM - 05 / \*\*\*

	<b>A</b> = intermediate element, parallel assembly
	<b>B</b> = basic without pressure relief valve
	<b>BT</b> = closing, with auxiliary P and T
	<b>T</b> = closing with port for manometer
	<b>TH</b> = closing with port for SBM-03/A
CETOP 05 subplate	