

# CETOP-07 SIZE SUBPLATE WITH PRESSURE CONTROL VALVE



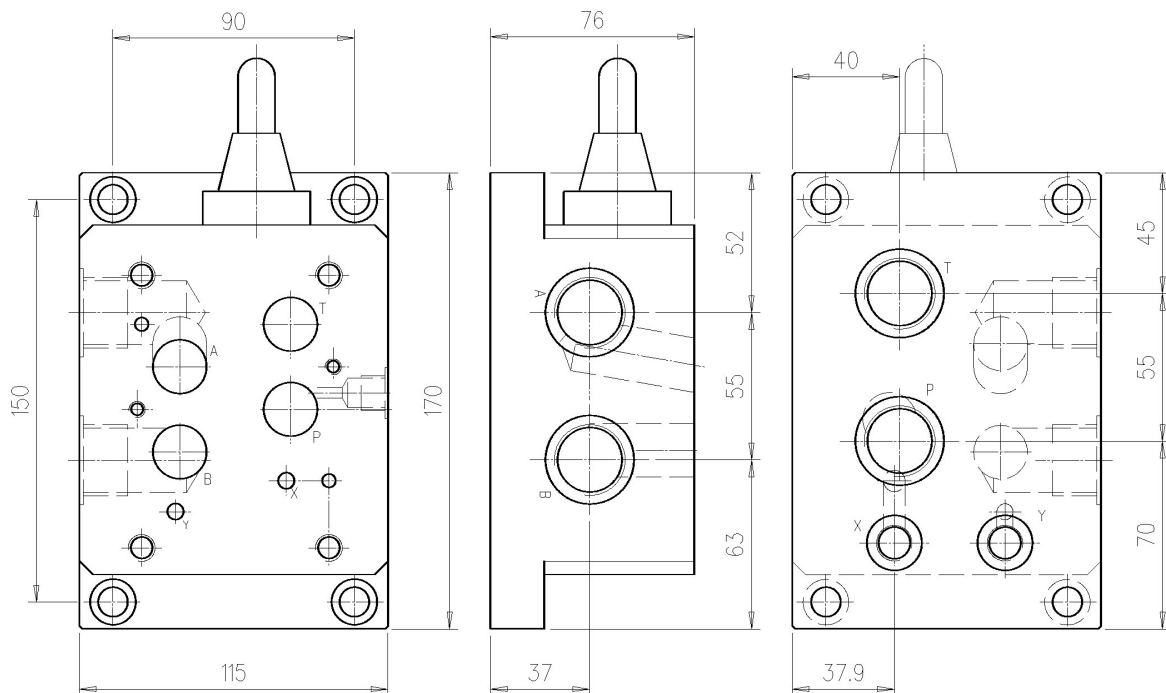
## Characteristics

TYPE	THREADED PORTS	SPOT-FACING	MAX. FLOW	MAX. PRESSURE
SBM-100-07/1- M***	1" BSP	Ø 40	150 l./min.	350 bar

## Description

Subplate for Cetop-07 size distributor equipped with direct acting pressure control valve.

## Dimensions



## Installation rules

- The subplates type SBM can be mounted in any position
- Fluid to be used: hydraulic oil in compliance with DIN 51524 rules, viscosity between 30 and 100 mm<sup>2</sup>/s (cSt) at 40°C
- Recommended filtration: 25µ
- Hydraulic fluid temperature: from -20° to +75°C

## Ordering code

SBM	-	100	-	07	/	1-M	***
							Setting range : 250= 50 - 250 bar    350=100 - 350 bar
							CETOP- 07 size
							100 = 1" BSP
							Subplate