

# CETOP-05 SIZE MULTI-STATION SUBPLATE WITH PRESSURE CONTROL VALVE



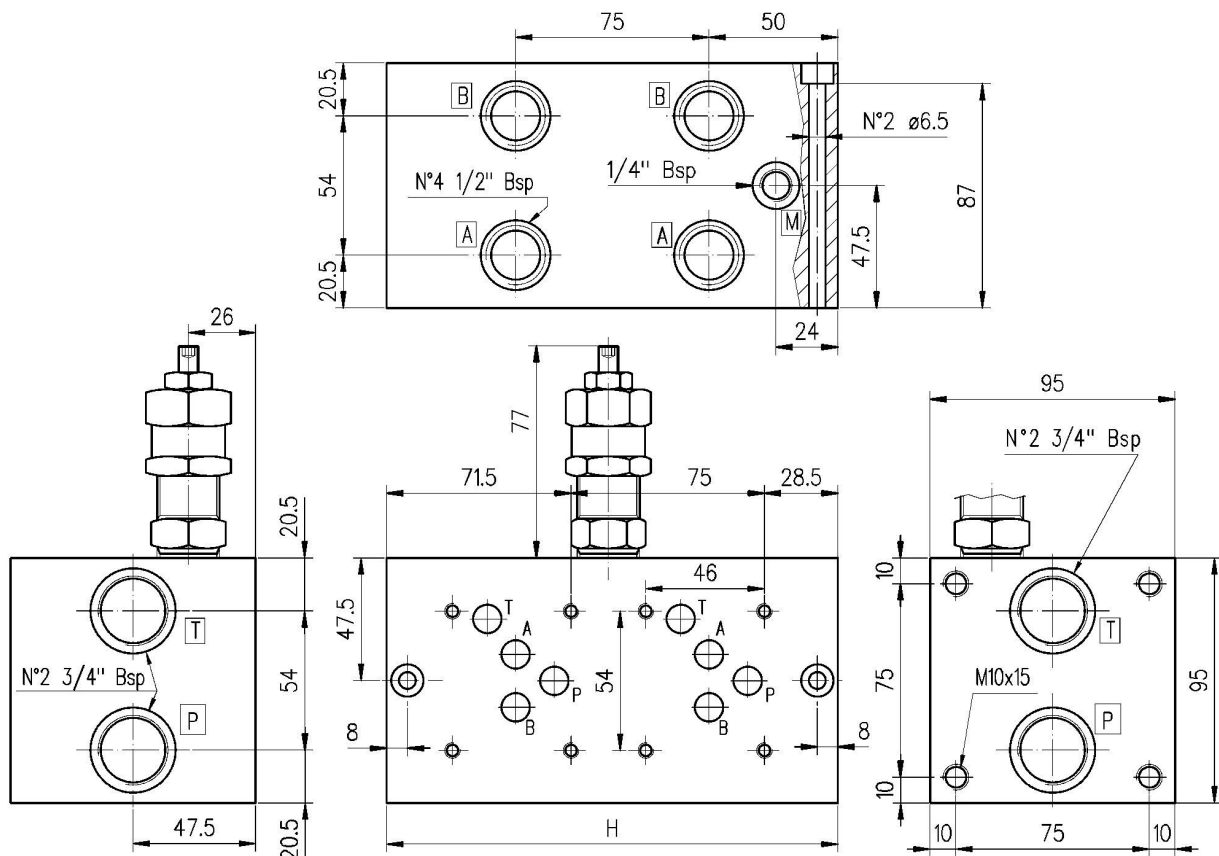
## Characteristics

Stations no.	2	3	4	5	6
H	175	250	325	400	475
Weight (Kg.)	11	16	21	26	31

## Description

CETOP-05 size multi-station subplate with rear A-B ports, 1/2" BSP P-T ports equipped with pressure relief valve.

## Dimensions



## Installation rules

- The subplates type SBM can be mounted in any position
- Fluid to be used: hydraulic oil in compliance with DIN 51524 rules, viscosity between 30 and 100 mm<sup>2</sup>/s (cSt) at 40°C
- Recommended filtration: 25µ
- Hydraulic fluid temperature: from -20° to +75°C

## Ordering code

