

CETOP-03 SIZE SUBPLATE



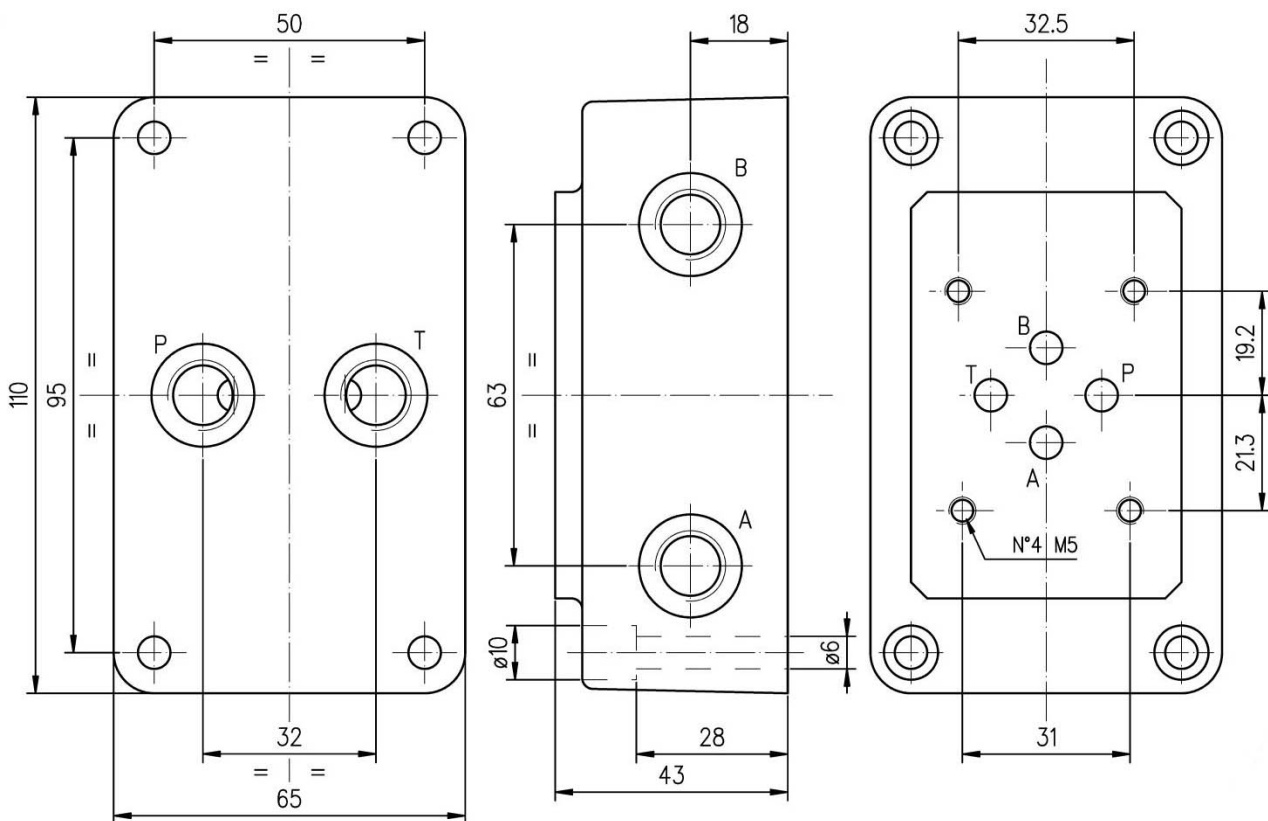
Characteristics

TYPE	A-B-P-T THREADED PORTS	Ø SPOT-FACING	WEIGHT
ISB-03-14/L	1/4" BSP	20	1.8 Kg.
ISB-03-38/L	3/8" BSP	23	1.8 Kg.

Description

CETOP-03 size subplate with rear P-T and side A-B ports.

Dimensions



Installation rules

- The subplates type ISB can be mounted in any position
- Fluid to be used: hydraulic oil in compliance with DIN 51524 rules, viscosity between 30 and 100 mm²/s (cSt) at 40°C
- Recommended filtration: 25µ
- Hydraulic fluid temperature: from -20° to +75°C

Ordering code

ISB-03	-	**	/	L
		Side A-B		P-T on the base
		14 = 1/4" BSP		38 = 3/8" BSP
CETOP- 03 size subplate				