

CETOP-03 SIZE SUBPLATE

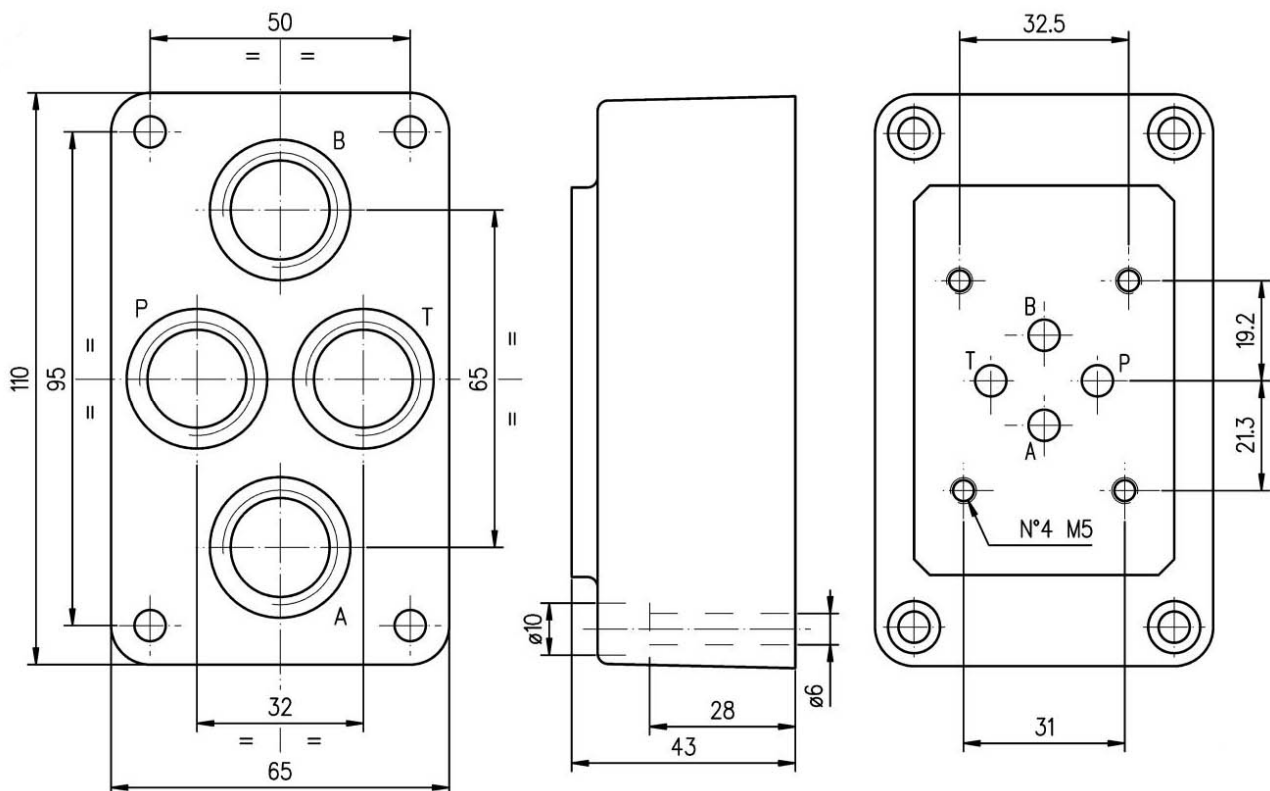


Characteristics

| TYPE | A-B-P-T THREADED PORTS | Ø SPOT-FACING | WEIGHT |
|-----------|------------------------|---------------|---------|
| ISB-03-12 | 1/2" BSP | 27 | 1.8 Kg. |

Description CETOP-03 size subplate with rear 1/2" A-B-P-T ports.

Dimensions



Installation rules

- The subplates type ISB can be mounted in any position
- Fluid to be used: hydraulic oil in compliance with DIN 51524 rules, viscosity between 30 and 100 mm²/s (cSt) at 40°C
- Recommended filtration: 25 μ
- Hydraulic fluid temperature: from -20° to +75°C

Ordering code

ISB-03 - 12

12 = 1/2" BSP

CETOP 03 size subplate