

# CETOP-03 SIZE SUBPLATE



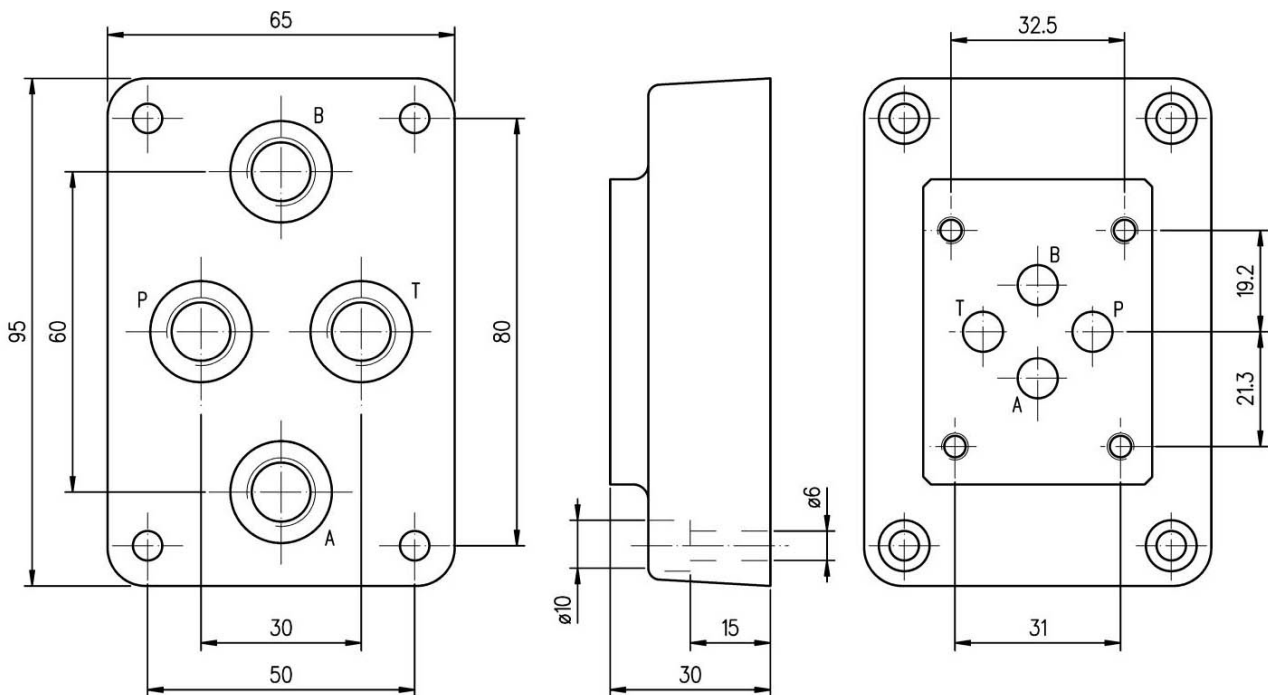
## Characteristics

TYPE	A-B-P-T THREADED PORTS	Ø SPOT-FACING	WEIGHT
ISB-03-14	1/4" BSP	19	1 Kg.
ISB-03-38	3/8" BSP	23	1 Kg.

## Description

CETOP-03 size subplate with rear A-B-P-T ports.

## Dimensions



## Installation rules

- The subplates type ISB can be mounted in any position
- Fluid to be used: hydraulic oil in compliance with DIN 51524 rules, viscosity between 30 and 100 mm<sup>2</sup>/s (cSt) at 40°C
- Recommended filtration: 25µ
- Hydraulic fluid temperature: from -20° to +75°C

## Ordering code

ISB-03 - \*\*

14 = 1/4" 38 = 3/8" BSP  
CETOP- 03 SIZE SUBPLATE