

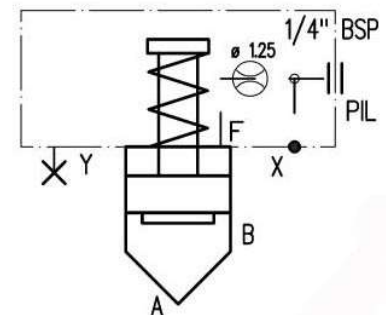
# NORMALLY OPENED LOGIC CARTRIDGE VALVE DIN 24342



## Characteristics

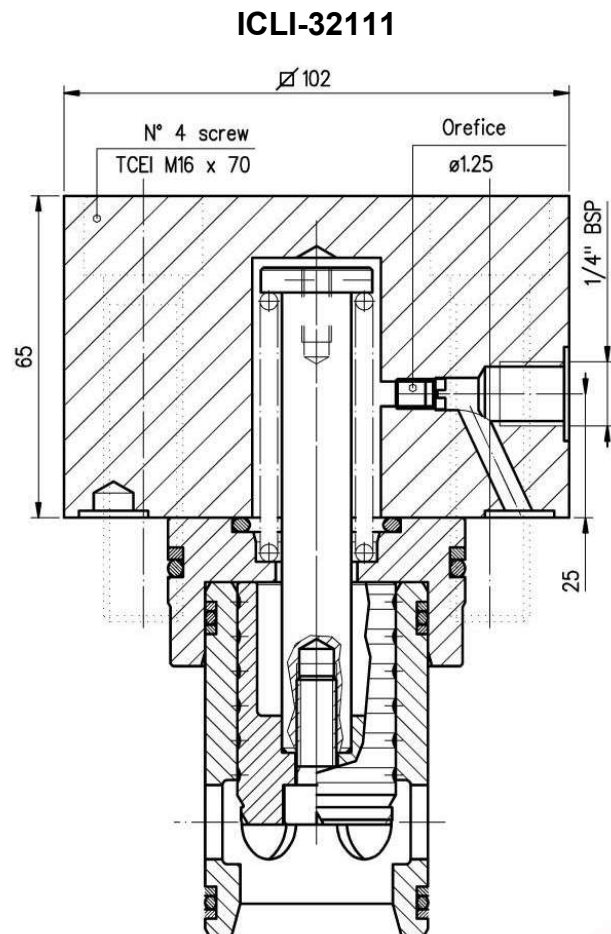
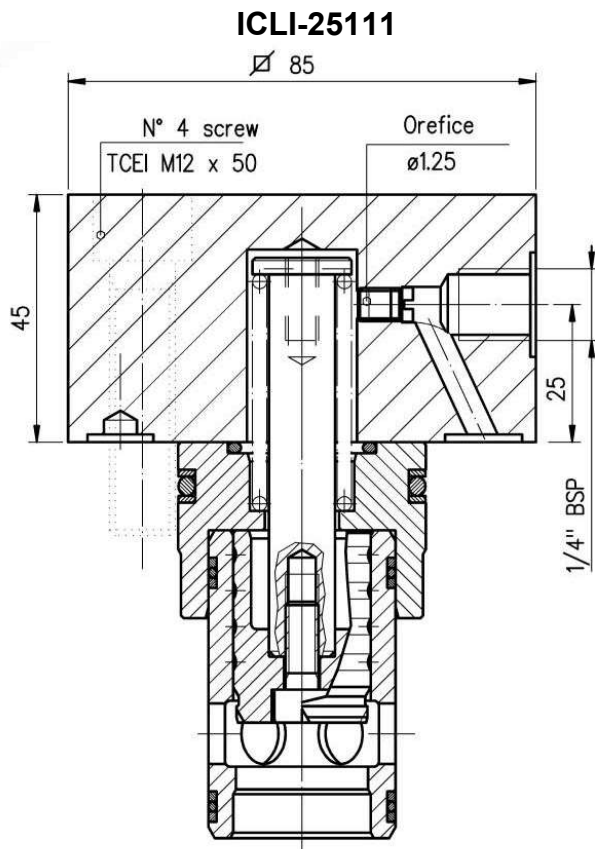
TYPE	SIZE	MAX WORKING PRESSURE	AREA RATIO
ICLI – 25111/S/NA	DN 25	350 bar	1 : 1.1
ICLI – 32111/S/NA	DN 32		

## Symbol



**Description** Normally opened poppet logic cartridges .  
Cavity dimensions in compliance with DIN 24342.

## Overall dimensions



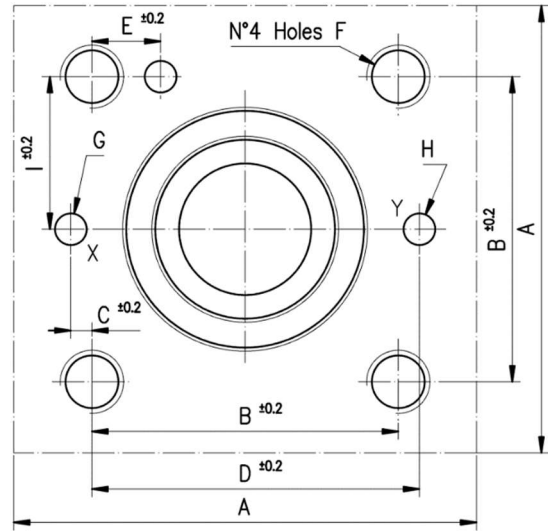
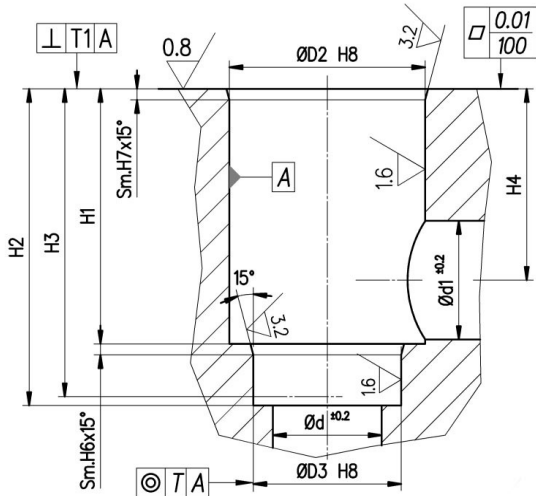
## Installation rules

- The cartridges type ICLI -\*\*111/S/NA can be mounted in any position
- Fluid to be used: hydraulic oil in compliance with DIN 51524 rules, viscosity between 30 and 100 mm<sup>2</sup>/s (cSt) at 40°C
- Recommended filtration: 25μ
- Hydraulic fluid temperature: from -20° to +75°C
-

# NORMALLY OPENED LOGIC CARTRIDGE VALVE DIN 24342



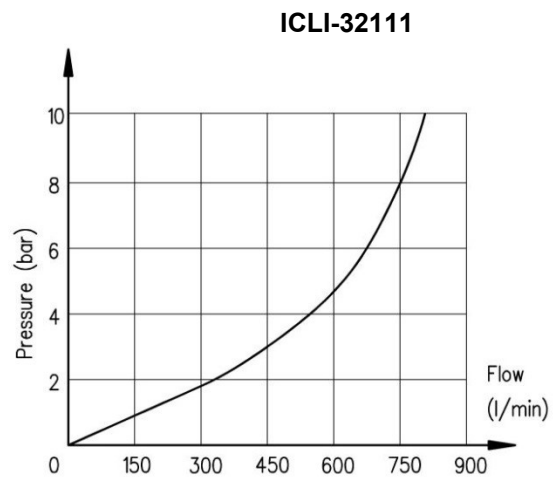
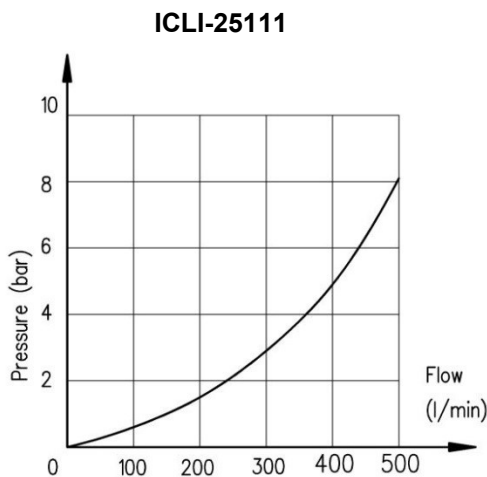
## Dimensions



TYPE	ICLI-25	ICLI-32	TIPO	ICLI-25	ICLI-32
Ø d	25	32	H3	70	83
Ø d1	27	38.5	H4 <sup>0</sup> <sub>-0.1</sub>	43.5	49
Ø D2	45	60	H5	30	30
Ø D3	34	45	H6	2.5	2.5
H1 <sup>+0.1</sup> <sub>0</sub>	58	70	H7	2.5	2.5
H2 <sup>+0.1</sup> <sub>0</sub>	72	85	T	0.03	0.03
			T1	0.05	0.1

TYPE	ICLI-25	ICLI-32
A	85	102
B	58	70
C	4	6
D	62	76
E	13	18
F	M12x30	M16x38
G	6	8
H		
I	29	35

## Overall dimensions



## Ordering code

**ICLI - \*\* 111/S-NA / \***

Seals / V = Viton (otherwise omit it)

Conventional size  
**25** = DN 25  
**32** = DN 32

Logic cartridge

**CAPP. ICLI \*\* / NA**

Cap ordering code **2 = 25 3 = 32**