



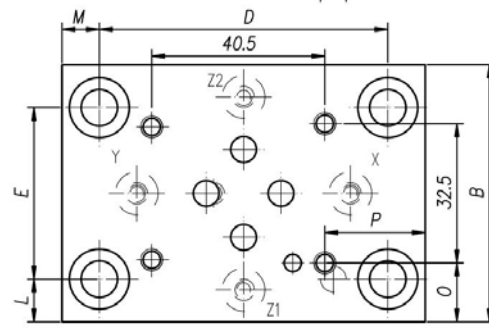
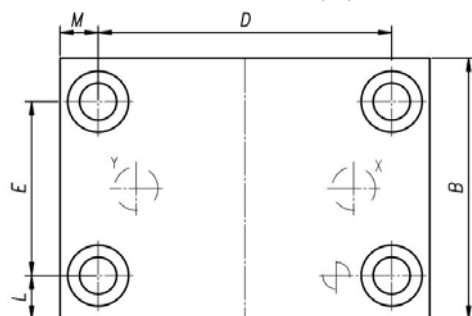
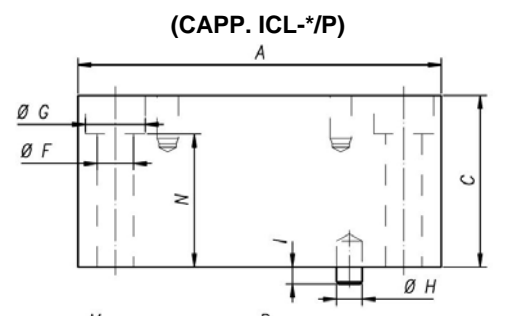
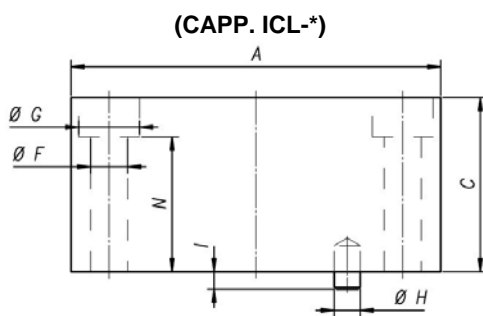
## Description

Closing elements to be matched with ICL-\*\* logic cartridges. They allow to realize pressure, flow and direction controls.

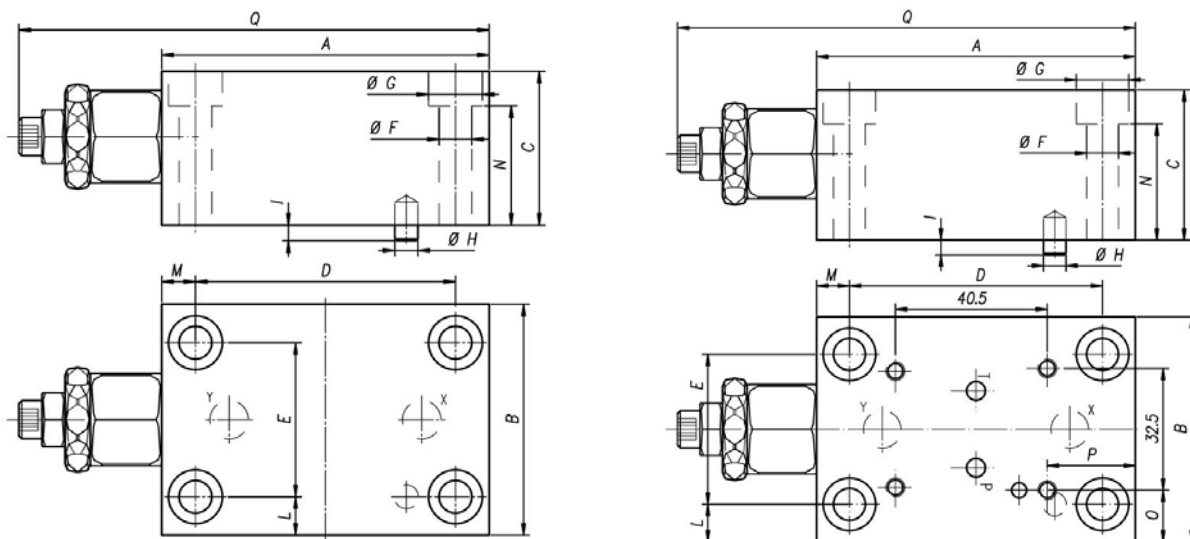
## Symbol

TYPE	HYDRAULIC DIAGRAM
CAPP. ICL-*	
CAPP. ICL-*/P	
CAPP. ICL-*/M*	
CAPP. ICL-*/PM*	

## Dimensions



# CLOSING ELEMENT FOR LOGIC CARTRIDGES



TYPE	A	B	C	D	E	F	G	H	I	L	M	N	O	P	~ Q
CAPP.ICL-1															
CAPP.ICL-1/P	85	60	40	67.5	40	8.5	14	6	4	10	8.75	31	13.75	23.5	118
CAPP. ICL-1/M*													13.75	23.5	
CAPP. ICL-1/PM*															
CAPP.ICL-2															
CAPP.ICL-2/P	88	70	45	67.5	50	10.5	17	6	4	10	10.25	34.5	18.75	25	121
CAPP. ICL-2/M*													18.75	25	
CAPP. ICL-2/PM*															
CAPP.ICL-3															
CAPP.ICL-3/P	100	100	50	70	70	17	26	5	6	15	15	34	33.75	31	133
CAPP. ICL-3/M*													33.75	31	
CAPP. ICL-3/PM*															

## Installation rules

- The caps type CAPP.ICL-\* can be mounted in any position
- Fluid to be used: hydraulic oil in compliance with DIN 51524 rules, viscosity between 30 and 100 mm<sup>2</sup>/s (cSt) at 40°C
- Recommended filtration: 25μ
- Hydraulic fluid temperature: from -20° to +75°C

## Ordering code

CAPP.ICL - \* / \*\*\*\*

Cap x logic cartridges	<b>P</b> = preset for pilot	Setting <b>100</b> = 5 ÷ 100 <b>350</b> = 7 ÷ 350
	<b>M</b> = with pressure relief valve	
	<b>PM</b> = preset for pilot and with pressure relief valve	
	Omit it in case you want to use as closing element	
Size : 1=DN16 2=DN25 3=DN32		