

CARTRIDGE, FIXED SETTING, COMPENSATED FLOW REGULATORS



Characteristics

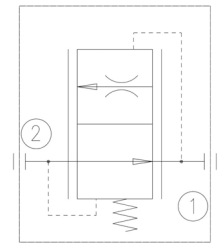
TYPE	SIZE	MAX. FLOW	MAX. PRESSURE	WEIGHT	LOCKING TORQUE
RFC-*-14-***	1/4" BSP	10 l./min.	315 bar	0.012 Kg.	6 Nm.
RFC-*-38-***	3/8" BSP	25 l./min.	315 bar	0.025 Kg.	8 Nm.
RFC-*-12-***	1/2" BSP	37 l./min.	315 bar	0.038 Kg.	12 Nm.
RFC-*-34-***	3/4" BSP	150 l./min.	315 bar	0.070 Kg.	15 Nm.

Description

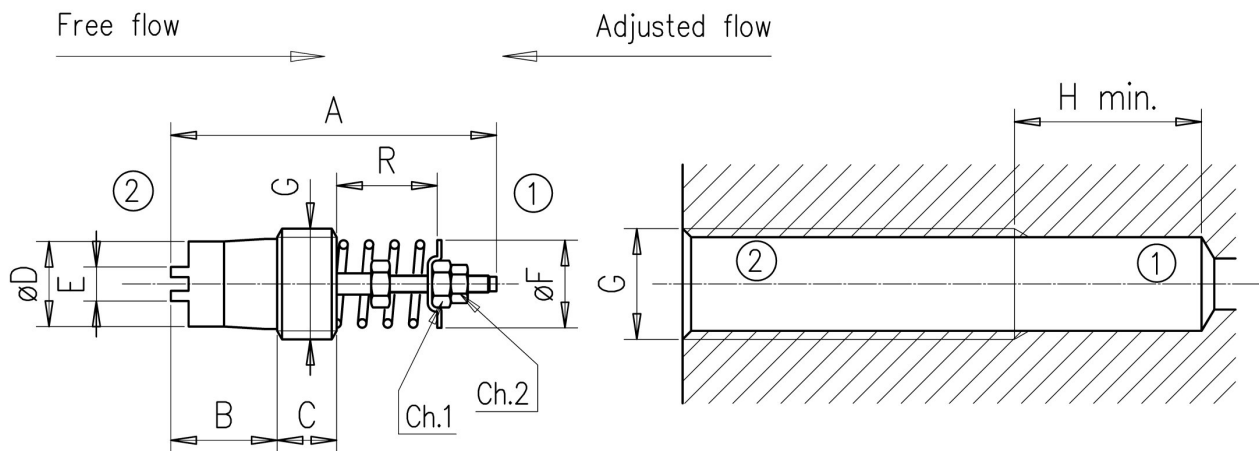
The valves type RFC are two way compensated flow regulators. They guarantee actuators constant speed irrespective of load. They can be supplied pre-set. The testing pressure is 150 bar while maximum pressure error is around $\pm 7\%$.

The adjustment is achieved from 1 towards 2 and is free in the opposite direction.

Symbol



Dimensions



G	A	B	C	D	E	F	ch.1	ch.2	H
1/4" BSP	38.3	12.5	7	10	4	10.3	5.5	4.5	22
3/8" BSP	43	13.5	7	11.5	4	14	7	6	23
1/2" BSP	49	16	8	18.4	6	15	7	6	27
3/4" BSP	60	21	10	20	6	23	7	6	31

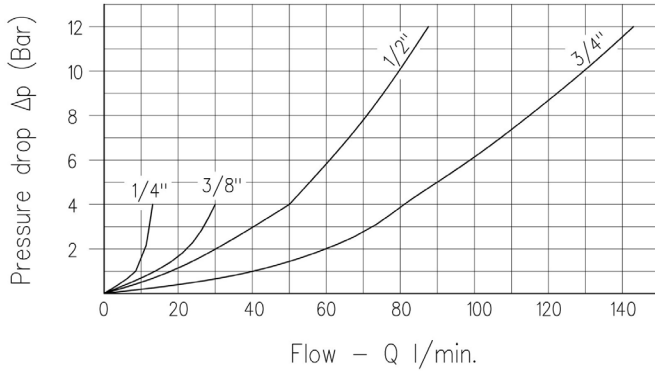
CARTRIDGE, FIXED SETTING, COMPENSATED FLOW REGULATORS



Diagram

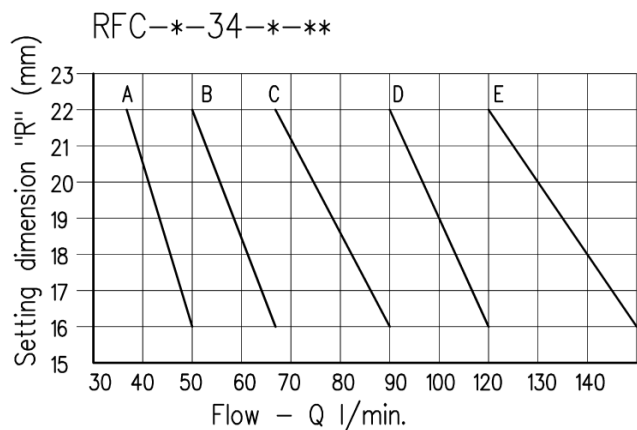
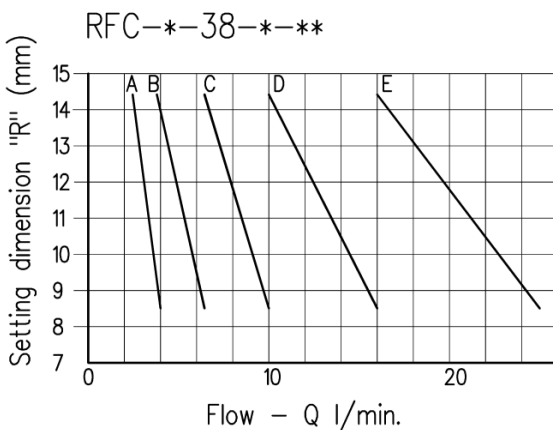
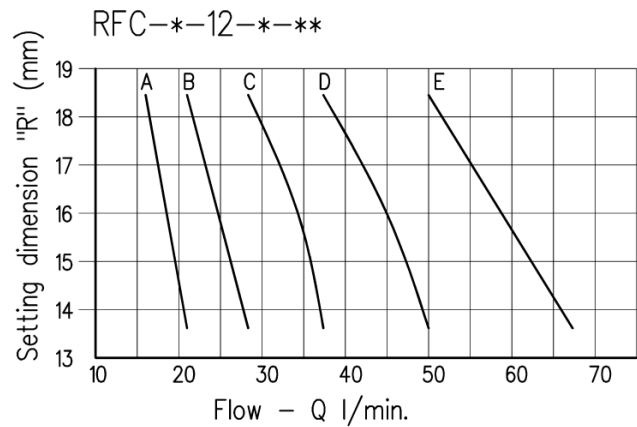
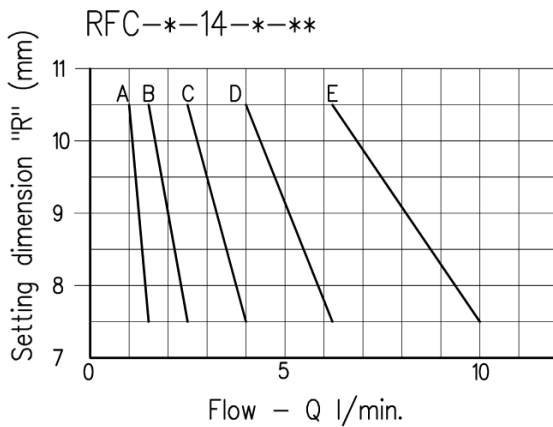
Flow setting range

Characteristics curves in free flow



Threads	Flow setting range				
G	A	B	C	D	E
1/4" Bsp	1-1.6	1.6-2.5	2.5-4	4-6.3	6.3-10
3/8" Bsp	2.5-4	4-6.3	6.3-10	10-16	16-25
1/2" Bsp	16-21	21-28	28-37	37-50	50-67
3/4" Bsp	37-50	50-67	67-90	90-120	120-150

Diagram

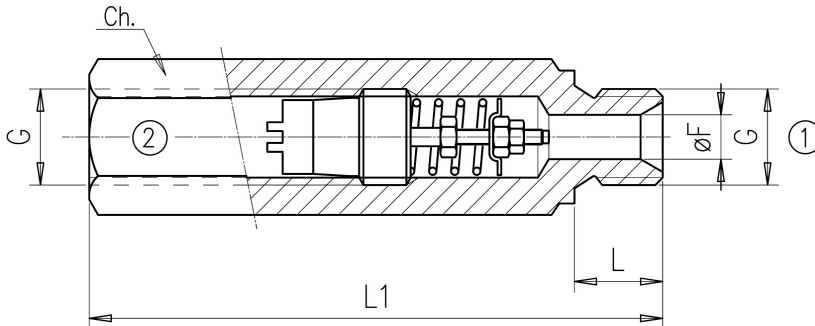


CARTRIDGE, FIXED SETTING, COMPENSATED FLOW REGULATORS



Body 1

M/F shape

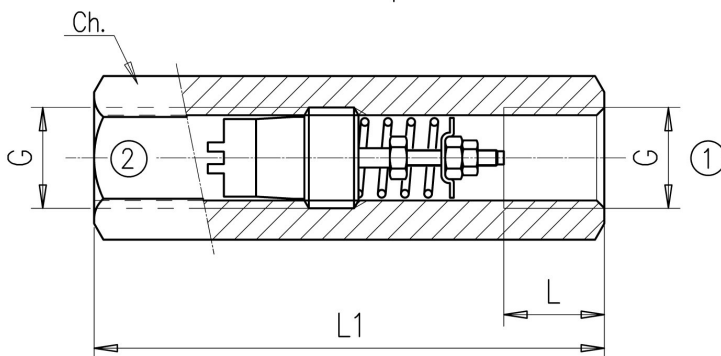


Cod. RFC-**-1

Threads	M/F shape body size				
	G	F	L	L1	Ch
1/4" BSP	6	12	78	19	
3/8" BSP	9	12	82	22	
1/2" BSP	12	14	96	27	
3/4" BSP	16	16	110	32	

Body 2

F/F shape



Cod. RFC-**-2

Threads	F/F shape body size			
	G	L	L1	Ch
1/4" BSP	13	66	19	
3/8" BSP	13	70	22	
1/2" BSP	14	80	27	
3/4" BSP	17	100	32	

Installation rules

- The valves type RFC can be mounted in any position
- Fluid to be used: hydraulic oil in compliance with DIN 51524 rules, viscosity between 30 and 100 mm²/s (cSt) at 40°C
- Recommended filtration: 25μ
- Hydraulic fluid temperature: from -20° to +75°C

Ordering code

