

CARTRIDGE PRESSURE RELIEF VALVE



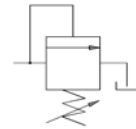
Characteristics

TYPE	MAX. FLOW	PRESSURE	LOCKING TORQUE	WEIGHT
CART. VM-03	30 l./min.	5 ÷ 350 bar	46 – 51 Nm	Kg. 0.17

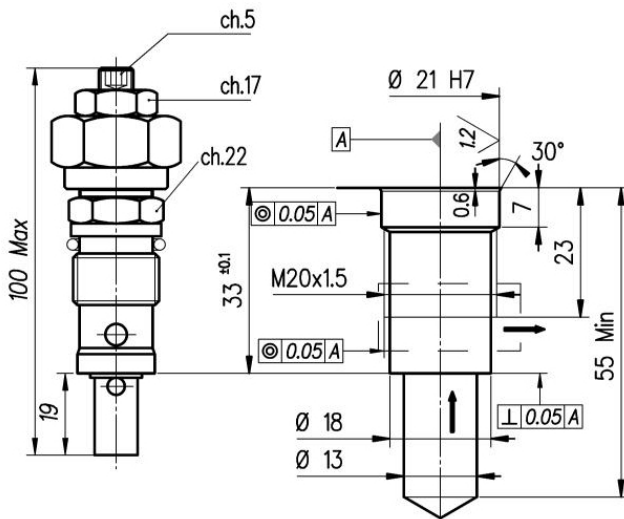
Description

Direct acting cartridge pressure relief valve. The pressure setting is achieved by loosening the locking nut and rotating the cartridge screw (clockwise it increases). The cartridge shape and small overall dimensions make it particularly suitable to be mounted on sub-plates and blocks.

Symbol

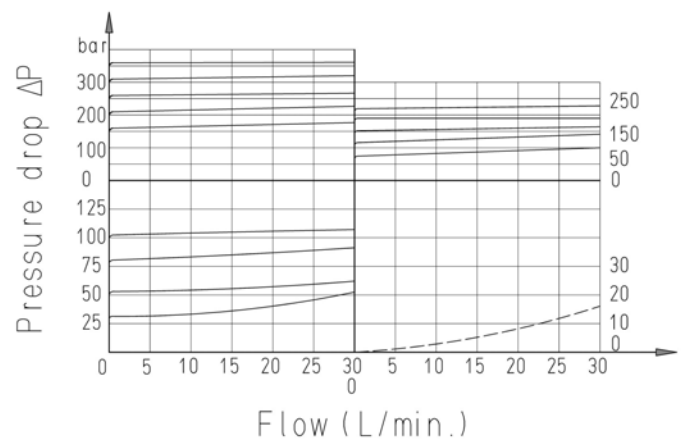


Dimensions



TYPE	SPRINGS		
	Min-max bar pressure setting	Pressure increase turn/screw	Standard Setting bar (Q=5 l./min.)
/50	5 ÷ 50	12	50
/100	30 ÷ 100	23.5	100
/210	50 ÷ 210	47	210
/350	100 ÷ 350	82	350

Diagram



Installation rules

- The valves type VM can be mounted in any position
- Fluid to be used: hydraulic oil in compliance with DIN 51524 rules, viscosity between 30 and 100 mm²/s (cSt) at 40°C
- Recommended filtration: 25μ
- Hydraulic fluid temperature: from -20° to +75°C

Ordering code

CART.V M-03 / ***

Pressure setting : 50=5-50 bar 100=30-100 bar 210=50-210 bar 350=100-350 bar
Cartridge pressure relief valve