

CETOP-05 SIZE PRESSURE MODULAR FILTER



Characteristics

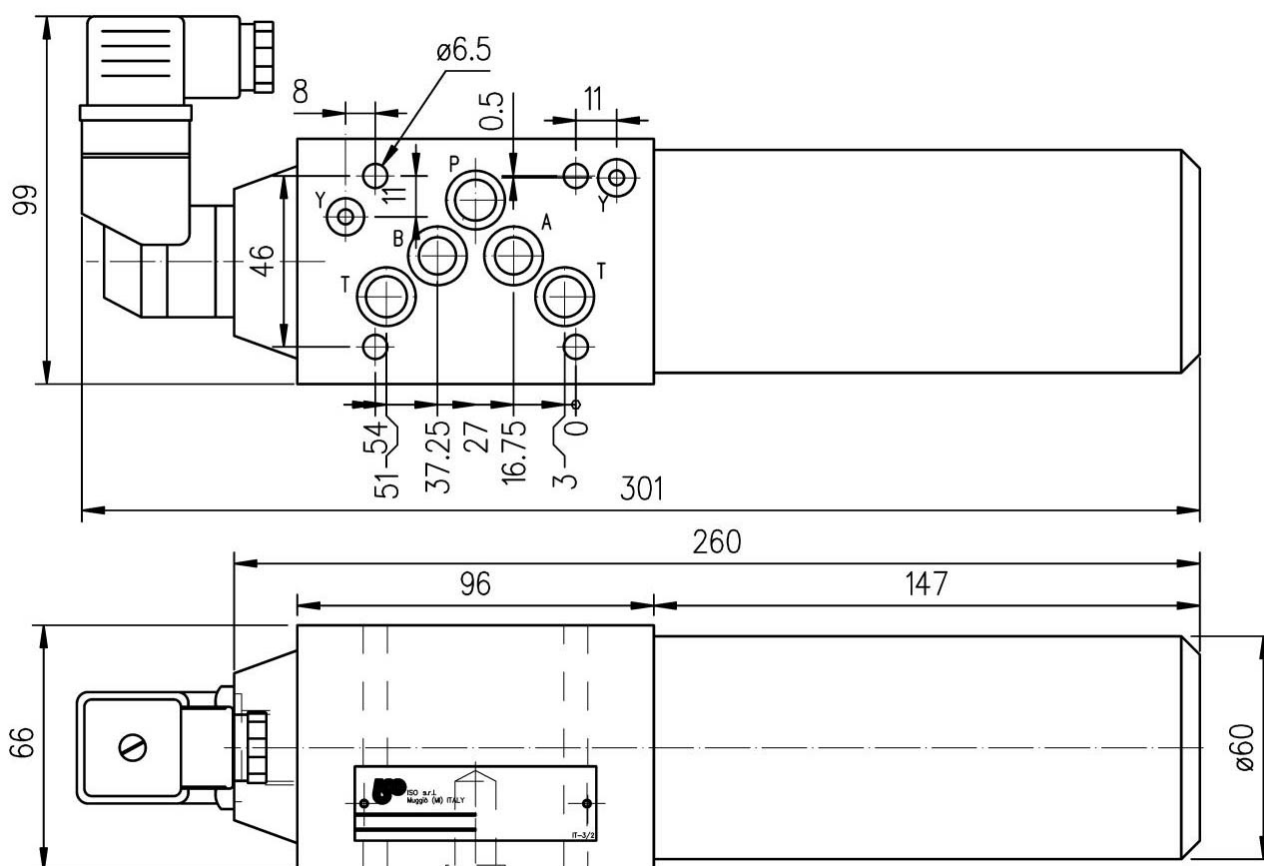
| TYPE | MAX WORKING PRESSURE | MAX TEST PRESSURE | WEIGHT |
|--------|----------------------|-------------------|---------|
| FMP-05 | 315 bar | 400 bar | 4,2 Kg. |

Description

FMP-05 modular pressure filter with Cetop-05 size connections guarantees the P port correct filtering. This filter provides an effective protection of proportional valves and of all components requiring a special filtering for proper functioning.

The FMP-05 filter can be equipped with visual or electrical indicator, having the function to actuate an electric contact when the max clogging degree is reached.

Dimensions



Filtering elements

| TYPE | | Flow (l/min) | | | Tests performed with oil viscosity of 30(cSt) and density 0.86 Kg/dm ³ |
|-----------|-----------|--------------------|------------------|--------------------|---|
| Cartridge | Code | Δp 0.5 bar | Δp 1 bar | Δp 1.5 bar | |
| 10 μ | CMP-05/10 | 25 | 50 | 75 | |
| 25 μ | CMP-05/25 | 40 | 68 | 90 | |

| Filter media | Filter element collapse pressure |
|-------------------------------|----------------------------------|
| 10 μ Inorganic microfiber | Δp 21 bar |
| 25 μ Inorganic microfiber | Δp 21 bar |



Clogging indicators

| | | |
|---|---|--|
| <p>Visual-Electrical indicator</p> <p>Electrical protection</p> <p>Connection plug</p> <p>Code</p> | <p>Δp 8 bar</p> <p>IP 65</p> <p>DIN 40050</p> <p>DIN 43650</p> <p>008-0038-2</p> | |
| <p>Contacts in exchange</p> <p>C.A. 125-250V. Max resistive or inductive load = 5A.</p> <p>C.C. 15-30-50-125V. Max load: resistive = 10-5-1-0.5A. inductive = 10-5-1-0.6A.</p> | | |
| <p>Visual Indicator</p> <p>Setting $\Delta 8$ bar ($\pm 10\%$)</p> <p>Code 008-0036-2</p> | | |

Installation rules

- The filters type FMP-05 can be mounted in any position
- Fluid to be used: hydraulic oil in compliance with DIN 51524 rules, viscosity between 30 and 100 mm²/s (cSt) at 40°C
- Standard filtration cartridges: 10 ÷ 25µ
- Hydraulic fluid temperature: from -20° to +75°C

Ordering code

| | |
|--|---|
| FMP-05 / ** - * | |
| 0 = plug | V = visual indicator E = electrical indicator |
| Filtering degree : 10 = 10 Inorganic microfiber 25 = 25 Inorganic microfiber | |
| CETOP 05 modular filter | |