

# SCREW MOUNTING, 2 WAY, NORMALLY CLOSED, ELECTRICALLY OPERATED, CARTRIDGE CHECK VALVES



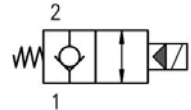
## Characteristics

TYPE	NOMINAL FLOW	MAX WORKING PRESSURE	STANDARD VOLTAGE	WEIGHT
IC-1593	150 lt./min.	Max. 450 Bar	DC 12-24-110 RAC	0.4 Kg

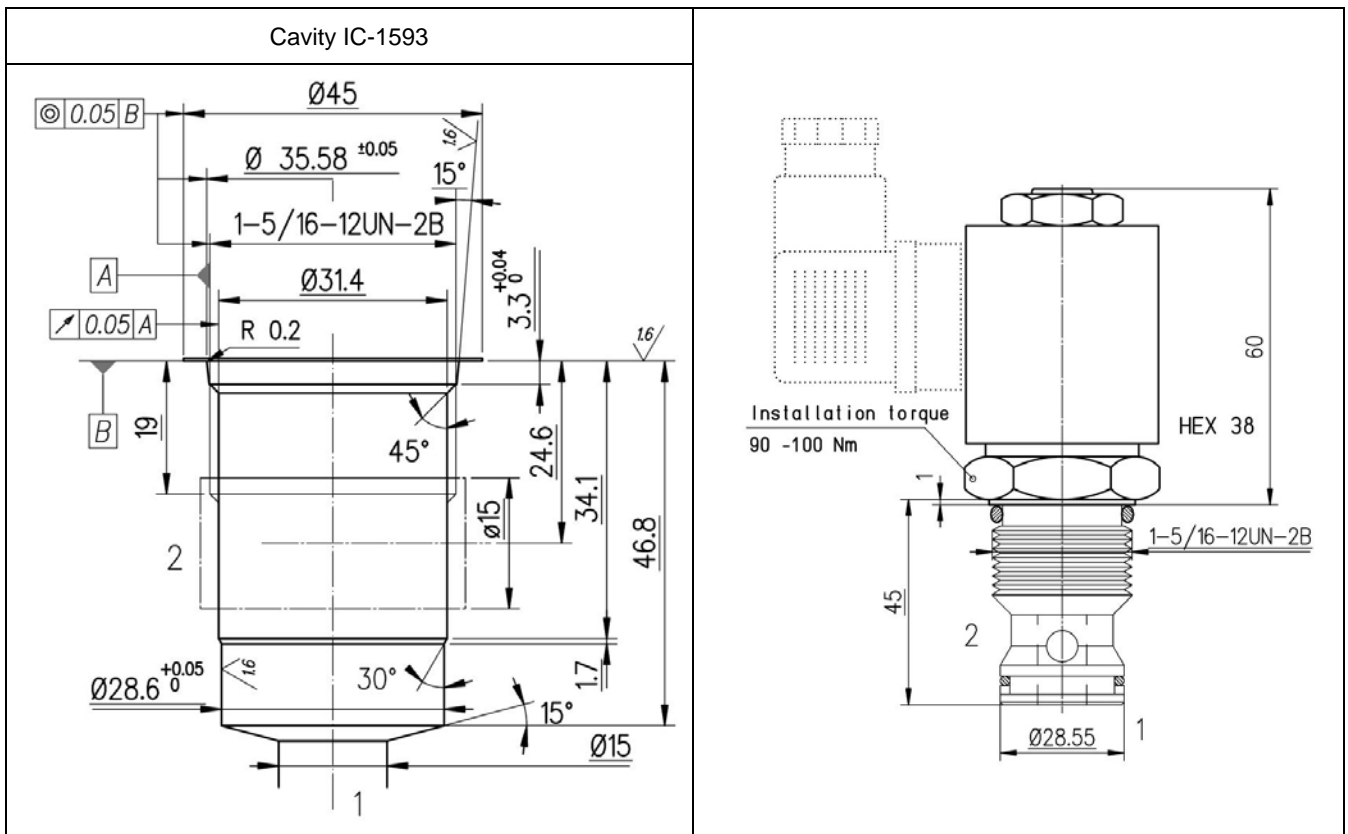
## Description

Unidirectional, electrically operated, check valve. They allow perfect seal in one way and allow oil passage in the opposite one when electric solenoid is energized. ON-OFF electric control.

## Symbol



## Dimensions



## Installation rules

- Installation: no orientations restrictions
- Fluid to be used: hydraulic oil in compliance with DIN 51524, viscosity between 30 and 100 mm<sup>2</sup>/s (cSt) at 40°C
- Recommended filtration: 25 micron
- Fluid temperature: from -20° to +80°C
- Range of tolerance on feeding voltage: -10% +5%

## Ordering code

**IC-1593**

Screw mounting, 2 way, normally closed, electric controlled check cartridge

## Diagram

