

SOLENOID VALVE SIZE CETOP-03



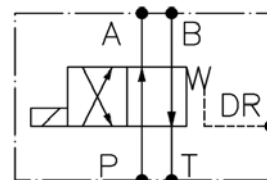
Characteristics

TYPE	Max pressure on port P – A – B – T	Suggested max flow	Weight
IC-1374	350 bar	50 l/min	2.3 Kg.

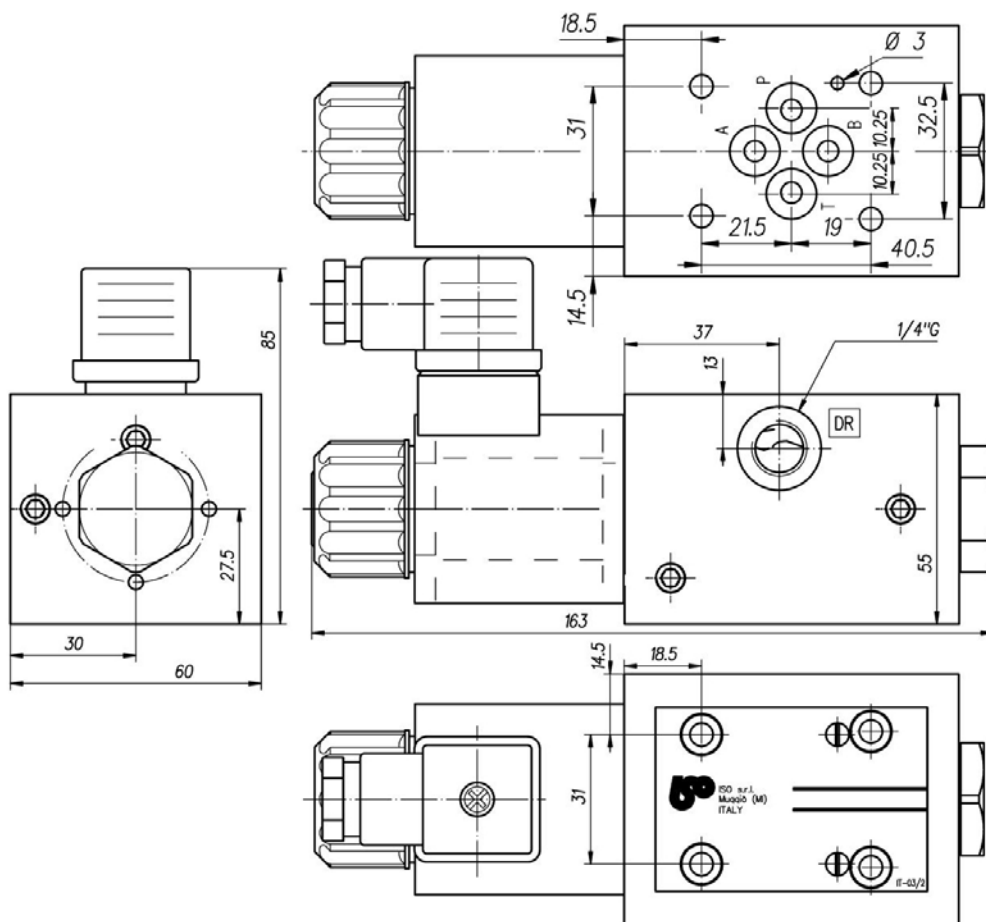
Description

Solenoid valve size CETOP-03

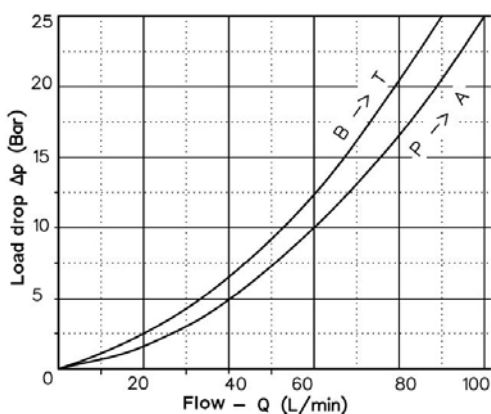
Symbol



Dimensions



Diagram



Installation rules

- The solenoid valve type IC-1374 can be mounted in any position
- Fluid to be used: hydraulic oil in compliance with DIN 51524 rules, viscosity between 30 and 100 mm²/s (cSt) at 40°C
- Recommended filtration: 25μ
- Hydraulic fluid temperature: from -20° to +75°C

Ordering code

IC-1374

Solenoid valve size CETOP- 03