

# UNIDIRECTIONAL, SOLENOID OPERATED OPENING, CARTRIDGE CHECK VALVE



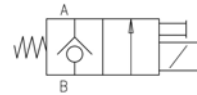
## Characteristics

TYPE	PORT SIZE	MAX FLOW	OPERATING PRESSURE	WEIGHT	STANDARD VOLTAGE	
VAS-**-114	1 1/4" BSP	260 l/min	Max. 350 Bar	Kg. 2.1	DC 12-24-110 RAC	Other voltage on request

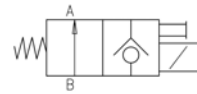
## Description

Unidirectional pilot operated solenoid cartridge check valves. They allow perfect sealing in one direction and flow in the opposite one, when the solenoid is energized. ON-OFF electric control.

## Symbol

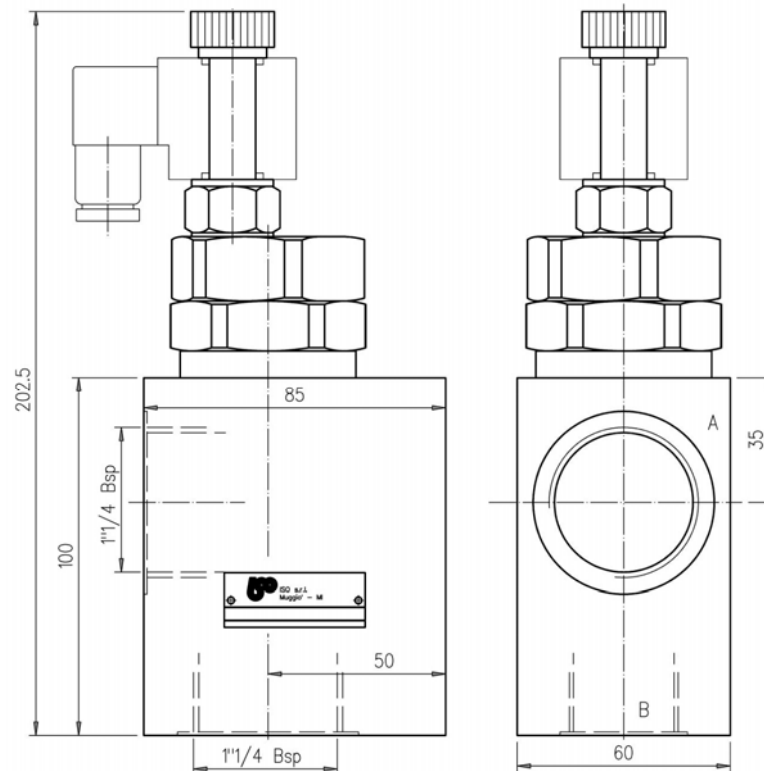


De-Energized	Energized
B $\nabla$ A	B $\rightarrow$ A
A $\rightarrow$ B	A $\rightarrow$ B



De-Energized	Energized
B $\rightarrow$ A	B $\nabla$ A
A $\rightarrow$ B	A $\rightarrow$ B

## Dimensions



## Installation rules

- The valves type VAS can be mounted in any direction
- Fluid to be used: hydraulic oil in compliance with DIN 51524 rules, viscosity between 30 and 100 mm<sup>2</sup>/s (cSt) at 40°C
- Recommended filtration: 25μ
- Hydraulic fluid temperature: from -20° to +75°C
- Feeding voltage tolerance around -10% +5%

## Ordering code

VAS	-	**	-	114
				1 1/4" BSP ports
				NC = normally closed NA = normally opened
				ON-OFF two-way cartridge valve

## Diagram

