

TWO-WAY, SOLENOID OPERATED, PILOTED POPPET, CARTRIDGE VALVE



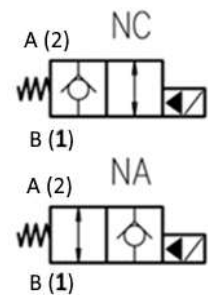
Characteristics

TYPE	MAX FLOW	WORKING PRESSURE	WEIGHT (VASL) (Without coil)	WEIGHT (VASC) (Without coil)	Locking torque
VAS-**-04	260 lt./min.	Max. 350 Bar	Kg. 4.64	Kg. 1.10	Nm 110-130

Description

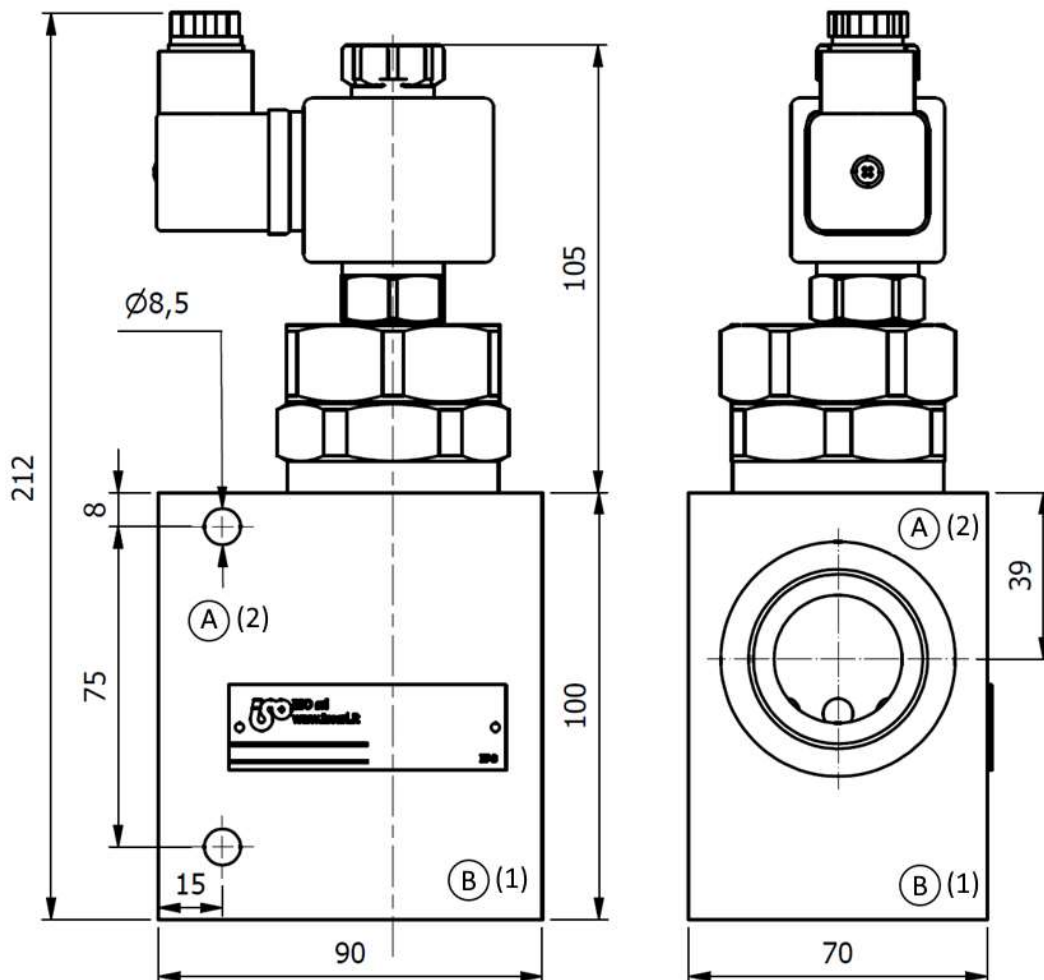
Two-way, solenoid operated, piloted poppet, cartridge valves, NA (normally open) and NC (normally closed) version, with single or double check. They can be supplied with in-line body or as a cartridge (Cavity 04E-2) to be used mounted on integrated manifolds.

Symbol



Dimensions

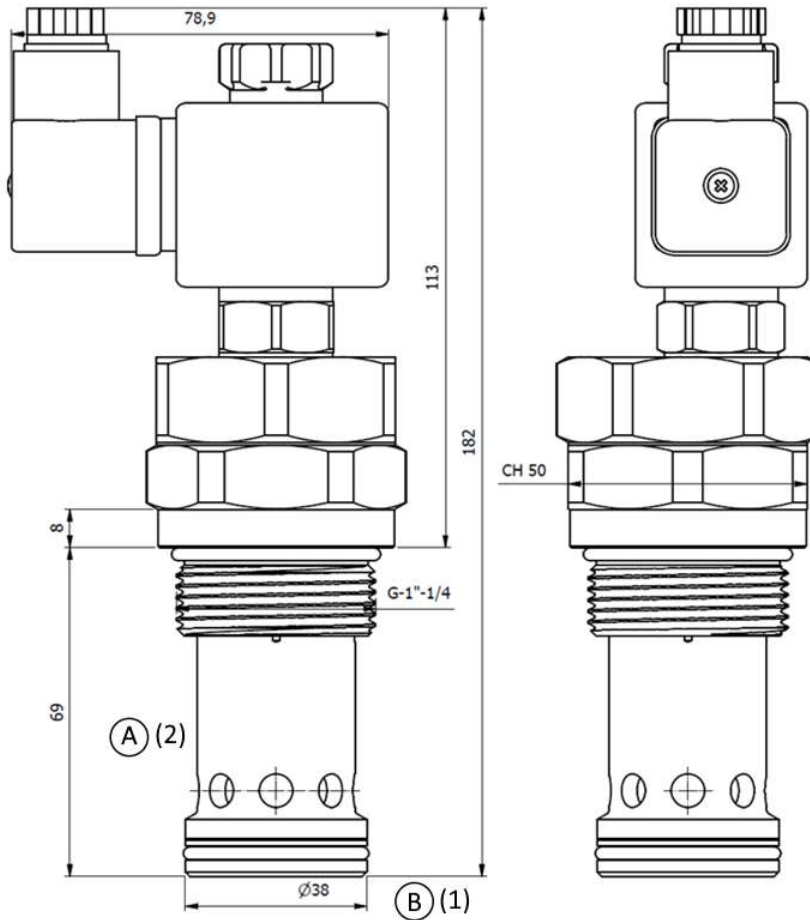
VASL



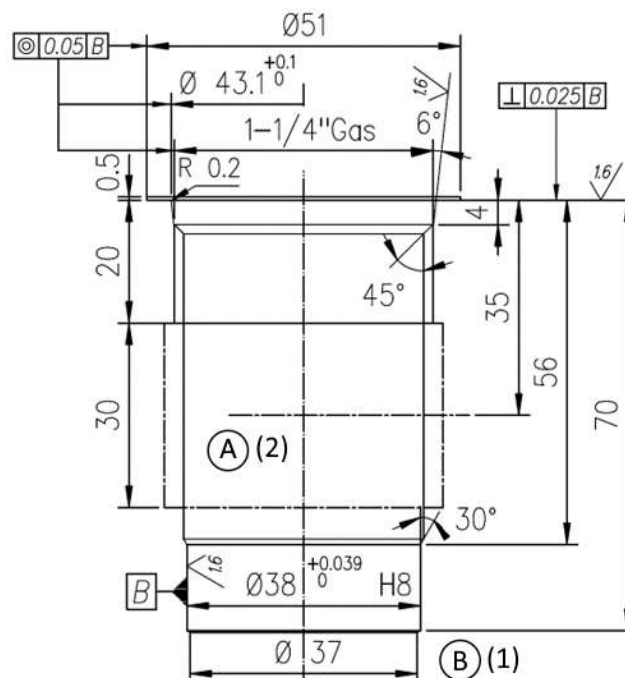
TWO-WAY, SOLENOID OPERATED, PILOTED POPPET, CARTRIDGE VALVE



VASC



Cavity 04E-2



TWO-WAY, SOLENOID OPERATED, PILOTED POPPET, CARTRIDGE VALVE

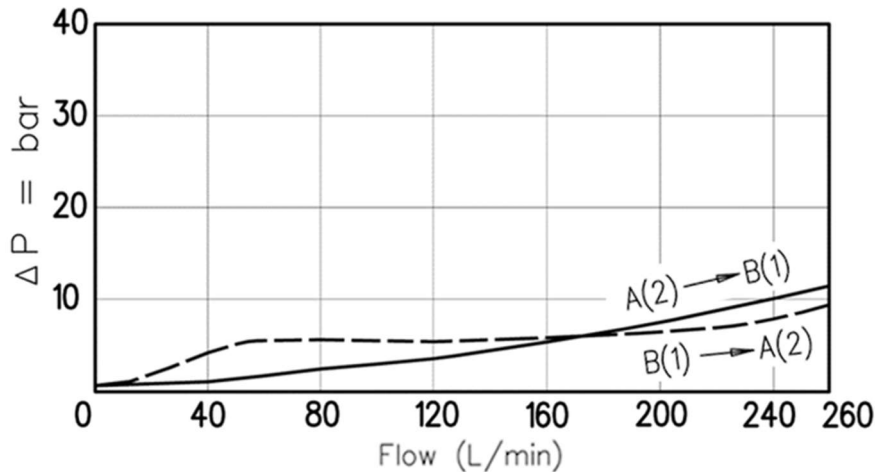


Installation rules

- The valves VAS can be mounted in any direction
- Fluid to be used: hydraulic oil according to DIN 51524 with viscosity between 30 and 100 mm²/s (cSt) at 40°C
- Requested filtration degree: 25μ
- Hydraulic fluid temperature: from -20°C to +75°C

Diagramm

NA – NC



Testing conditions :

- Fluid viscosity : VG46
- Fluid filtration : ISO 4406 15/13/11
- Fluid temperature: 40° C

Coils :

Electric characteristics

Code	Tension (V)	Current (A)		Protection Class	Power supply voltage variation	Ambient Temperature	Connection	Weight
		De-energized coil	Energized coil					
CVAS24R	24V RAC	0,95	0,63	Class H	+10% -10% Vnom	- 20 +50 °C	DIN-43650 ISO - 4400	0,22 Kg
CVAS110R	110V RAC	0,19	0,14					
CVAS220R	220V RAC	0,09	0,07					
CVAS10DC	10VDC	1,98	1,28					
CVAS12DC	12VDC	1,66	1,06					
CVAS14DC	14VDC	1,48	0,96					
CVAS20DC	20VDC	0,99	0,65					
CVAS24DC	24VDC	0,88	0,53					
CVAS26DC	26VDC	0,77	0,52					
CVAS28DC	28VDC	0,71	0,5					
CVAS36DC	36VDC	0,56	0,36					
CVAS48DC	48VDC	0,45	0,28					

TWO-WAY, SOLENOID OPERATED, PILOTED POPPET, CARTRIDGE VALVE



Ordering code

V	A	S	*	-	*	*	*	-	*	*	*	-	*	*	*	*	*	/	*
Two-way, solenoid operated, piloted poppet																			
C = cartridge type L = in-line body Type : NA = Normally open NC = Normally closed Ports (VASL) / Size (VASC) VASL 114 = G 1"1/4 (A-B) Tension : 24R = 24V RAC 20DC = 20VDC 110R = 110V RAC 24DC = 24VDC 220R = 220V RAC 26DC = 26VDC 10DC = 10VDC 28DC = 28VDC 12DC = 12VDC 36DC = 36VDC 14DC = 14VDC 48DC = 48VDC Device for switching control: omit if = no manual override (standard) P = Push manual override (NA) T = Push and twist manual override (NA) M = Screw-out manual override (NC) Seals: omit if = NBR (standard) F = FKM (temp. - 20 °C + 80° C)																			

Ordering example :

- VASC-NA-04-24DC
- VASL-NC-114-110R