

PISTON PRESSURE SWITCH type IPN



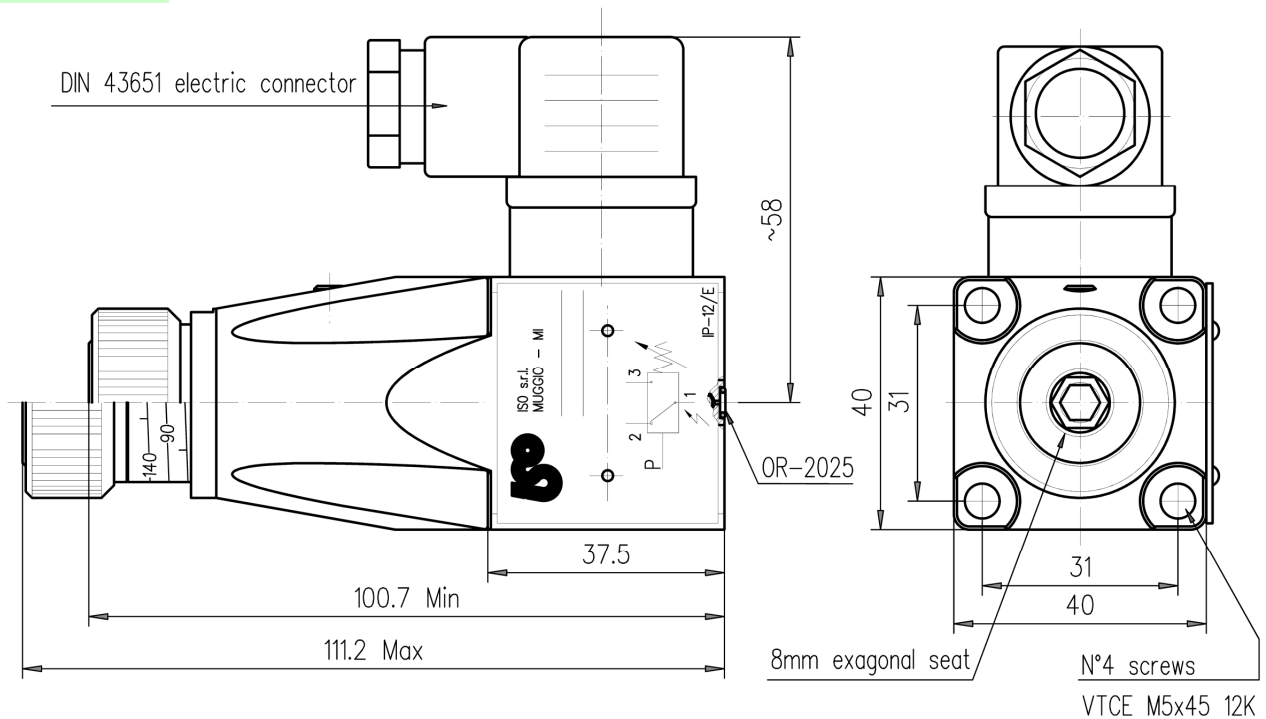
Characteristics

TYPE	SETTING RANGE	MAX WORKING PRESSURE	REPEATABILITY	WEIGHT
IPN-035	6-35 bar	250 bar	< ± 1% of setting	0.65 Kg.
IPN-080	10-80 bar			
IPN-160	12-160 bar			
IPN-250	15-250 bar	650 bar	< ± 1% of setting	0.65 Kg.
IPN-350	30-350 bar			
IPN-630	50-630 bar			

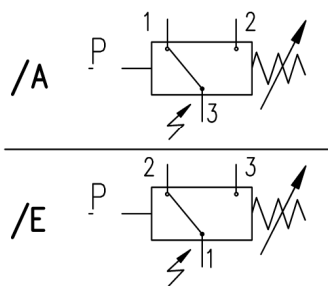
Description

Piston operated, fixed differential, electro-hydraulic pressure switch equipped with electric contact in exchange. When pre-set pressure is achieved, the piston actuates a microswitch. The setting adjustment is achieved by means of a scaled handwheel.

Dimensions

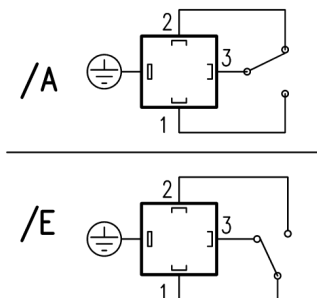


Symbol

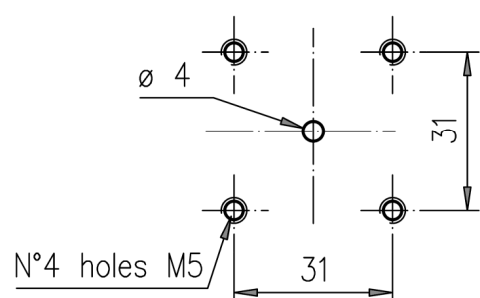


Contacts

Pressure operated position



Flange interface



PISTON PRESSURE SWITCH type IPN

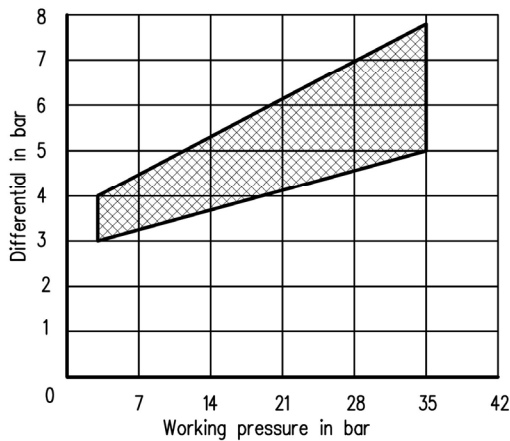


Electric characteristics

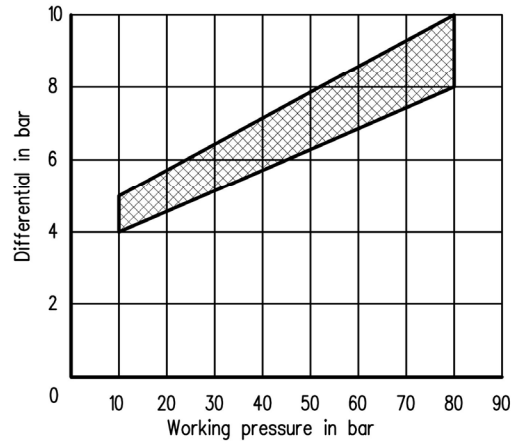
Voltage (V)	125 AC	250 AC	30 DC	150 DC
Max current (Resistive load)	7 Amp.	5 Amp.	5 Amp.	0.2 Amp.
Max current (Inductive load) Cos φ = 0.4	4 Amp.	2 Amp.	3 Amp.	0.02 Amp.
Connection frequency	Max. 120 cycles/min			
Protection	IP-65			
Direct current with inductive load	It is suggested to provide an arching contact			
Contact resistance	15 mΩ			

Diagram

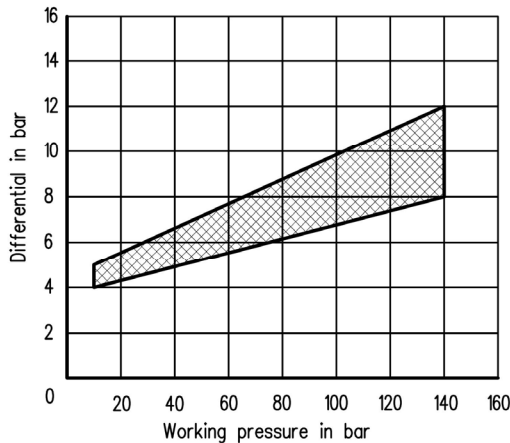
DIFFERENTIAL PRESSURE OF IPN-35 PRESSURE SWITCH



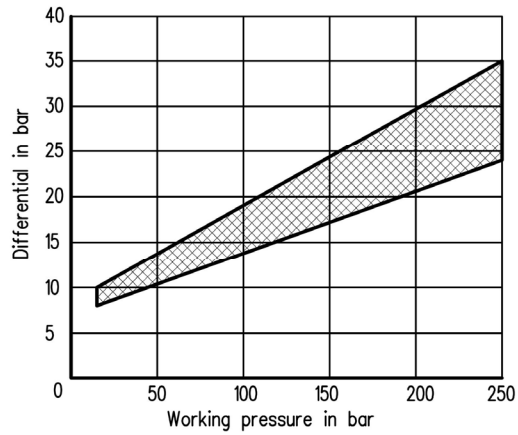
DIFFERENTIAL PRESSURE OF IPN-80 PRESSURE SWITCH



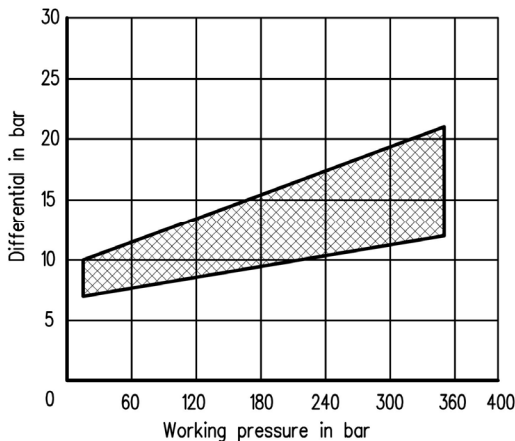
DIFFERENTIAL PRESSURE OF IPN-160 PRESSURE SWITCH



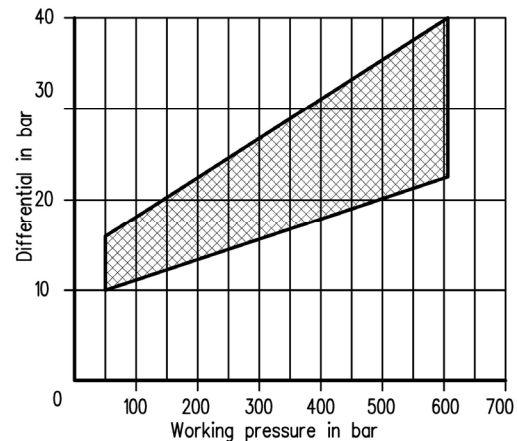
DIFFERENTIAL PRESSURE OF IPN-250 PRESSURE SWITCH



DIFFERENTIAL PRESSURE OF IPN-350 PRESSURE SWITCH



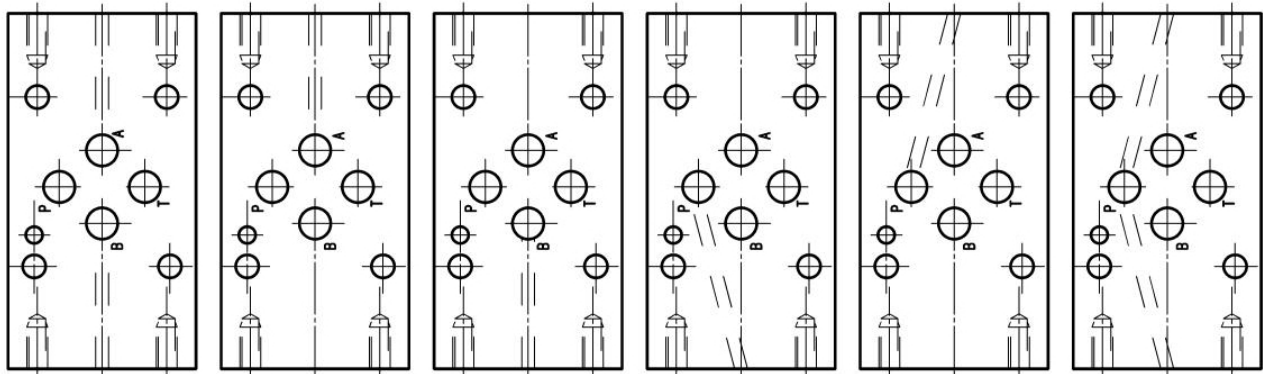
DIFFERENTIAL PRESSURE OF IPN-630 PRESSURE SWITCH





Adaptors

SBM-03/210-IP-**



Version AB

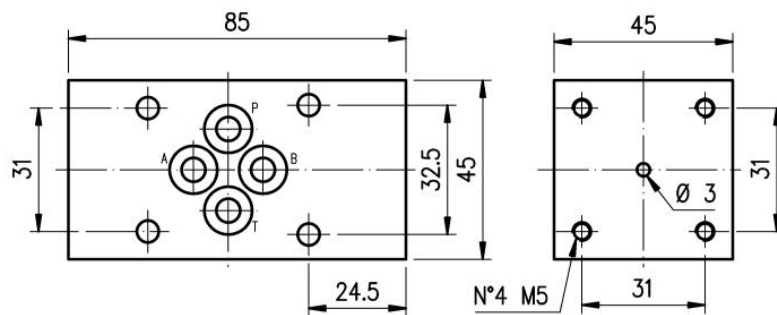
Version A

Version B

Version P1

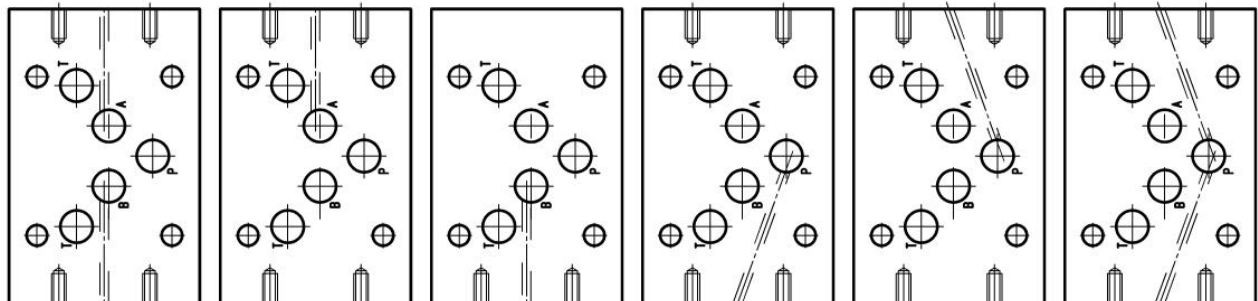
Version P2

Version PP



When your order, replace the asterisks with the port/ports on which the device will be mounted.
Es. **SBM-03/210-IP-B** = Pressure switch operating on B port.

SBM-05/210-IP-**



Version AB

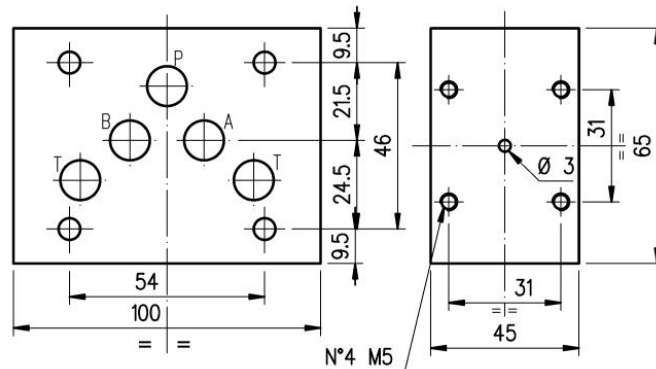
Version A

Version B

Version P1

Version P2

Version PP

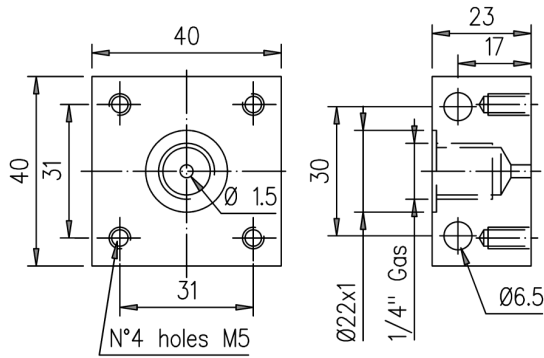


When your order, replace the asterisks with the port/ports on which the device will be mounted.
Es. **SBM-05/210-IP-B** = Pressure switches operating on B port.

PISTON PRESSURE SWITCH type IPN

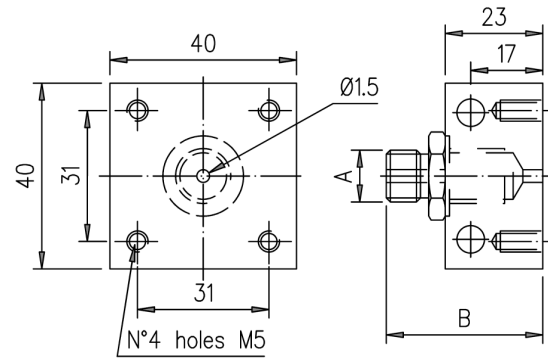


BFU-14 (Female adaptor)



WEIGHT 0.3 Kg.

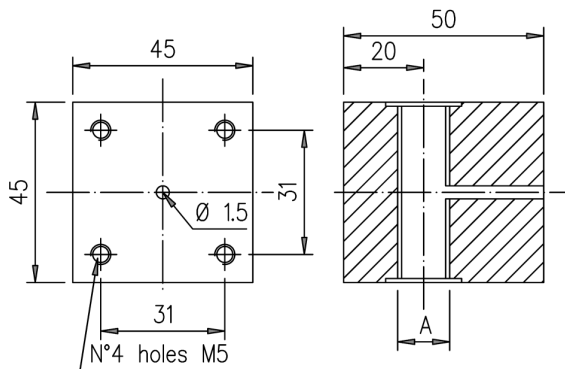
BMM-**



TYPE	A	B
BMM-14	1/4" BSP	41
BMM-38	3/8" BSP	45
BMM-12	1/2" BSP	46

WEIGHT 0.3 Kg.

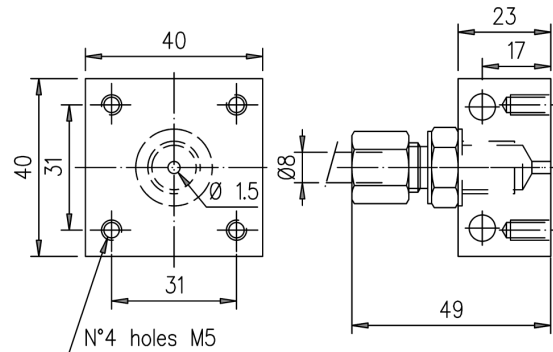
BFM-**



TYPE	A
BFM-14	1/4" BSP
BFM-38	3/8" BSP
BFM-12	1/2" BSP

WEIGHT 0.6 Kg.

BT-1/4x8



It allows the pressure switch mounting:
 - wall-type by using 2 \varnothing 6.5 holes
 - equipped with 1/4" BSP tang for \varnothing 8 hose

Installation rules

- The pressure switches type IPN can be mounted in any position
- Fluid to be used: hydraulic oil in compliance with DIN 51524 rules, viscosity between 30 and 100 mm²/s (cSt) at 40°C
- Recommended filtration of 25 μ
- Hydraulic fluid temperature: from -20° to +75°C

Ordering code

IPN - *** / *	/A = electric contacts type A	/E = electric contacts type E
Pressure setting : 035=6-35 bar 080=10-80 bar 160=12-160 bar 250=15-250 bar 350=30-350 bar 630=50-630 bar		
Pressure switch		

The product has not to be used as safety device as stated in Article 1, paragraph 2, letter D of Legislative Decree N° 93 dated 25/02/2000.

The component has been designed and manufactured meeting the requirements stated in Directive 97/23/CE (Legislative Decree N° 93/00).

The component is included in the category provided in Article 3, paragraph 3, for which it can be commercialized without CE marking.