

CHECK VALVES FOR SAE 3000/6000 FLANGE



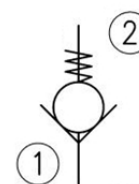
Characteristics

TYPE	SIZE	MAX. FLOW	MAX. PRESSURE	OPENING PRESSURE (bar)	WEIGHT (Kg)
VRF - 034	3/4"	250 l./min.	420 bar	0.2	0,4
VRF - 100	1"	400 l./min.		0.5	0,5
VRF - 114	1"1/4	600 l./min.		1	0,7
VRF - 112	1"1/2	800 l./min.		2	0,9
VRF - 200	2"	1000 l./min.		4	1,5
VRF - 212	2"1/2	1200 l./min.			2,2

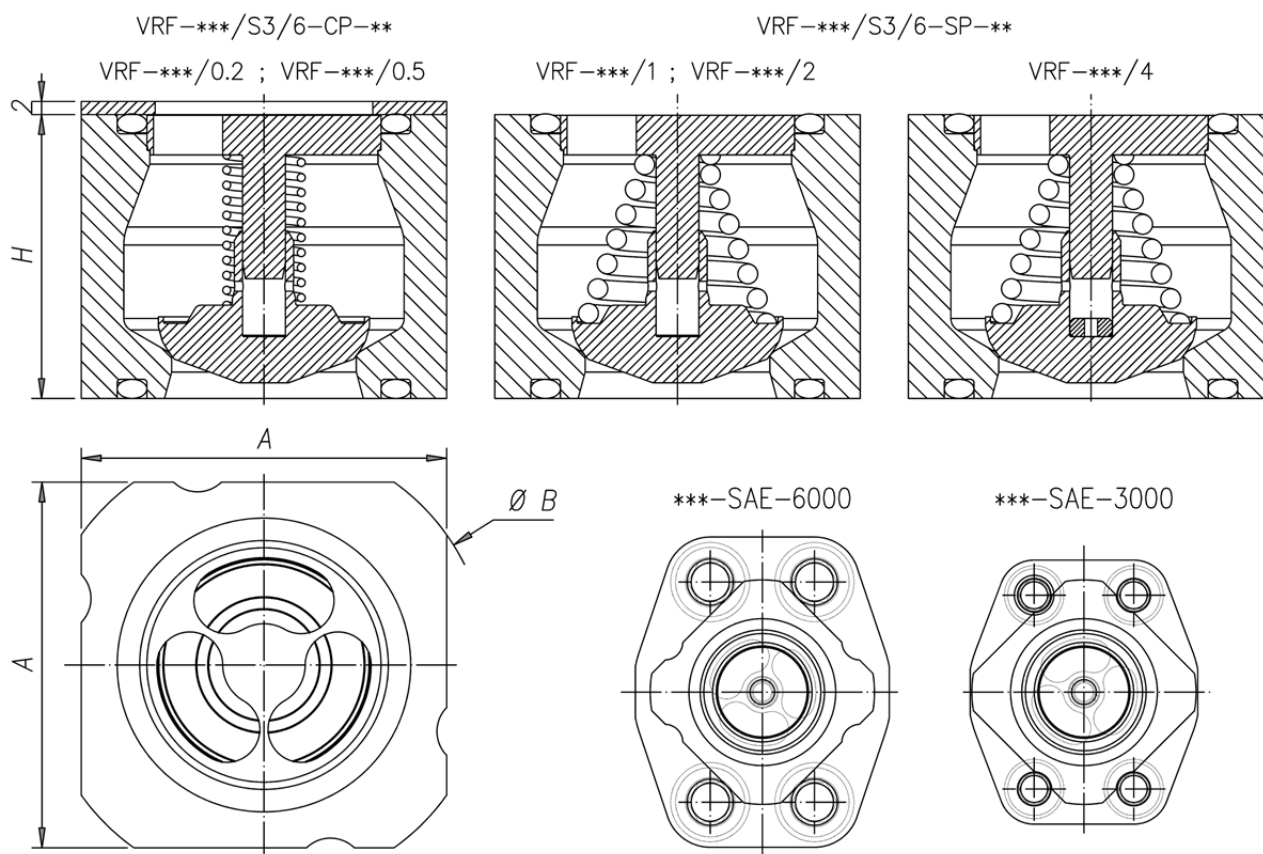
Description

Check valves for flange mounting, allow free flow from '1' to '2' and block it in the opposite direction. Thanks to the double seal, the valves can be mounted in both directions.

Symbol



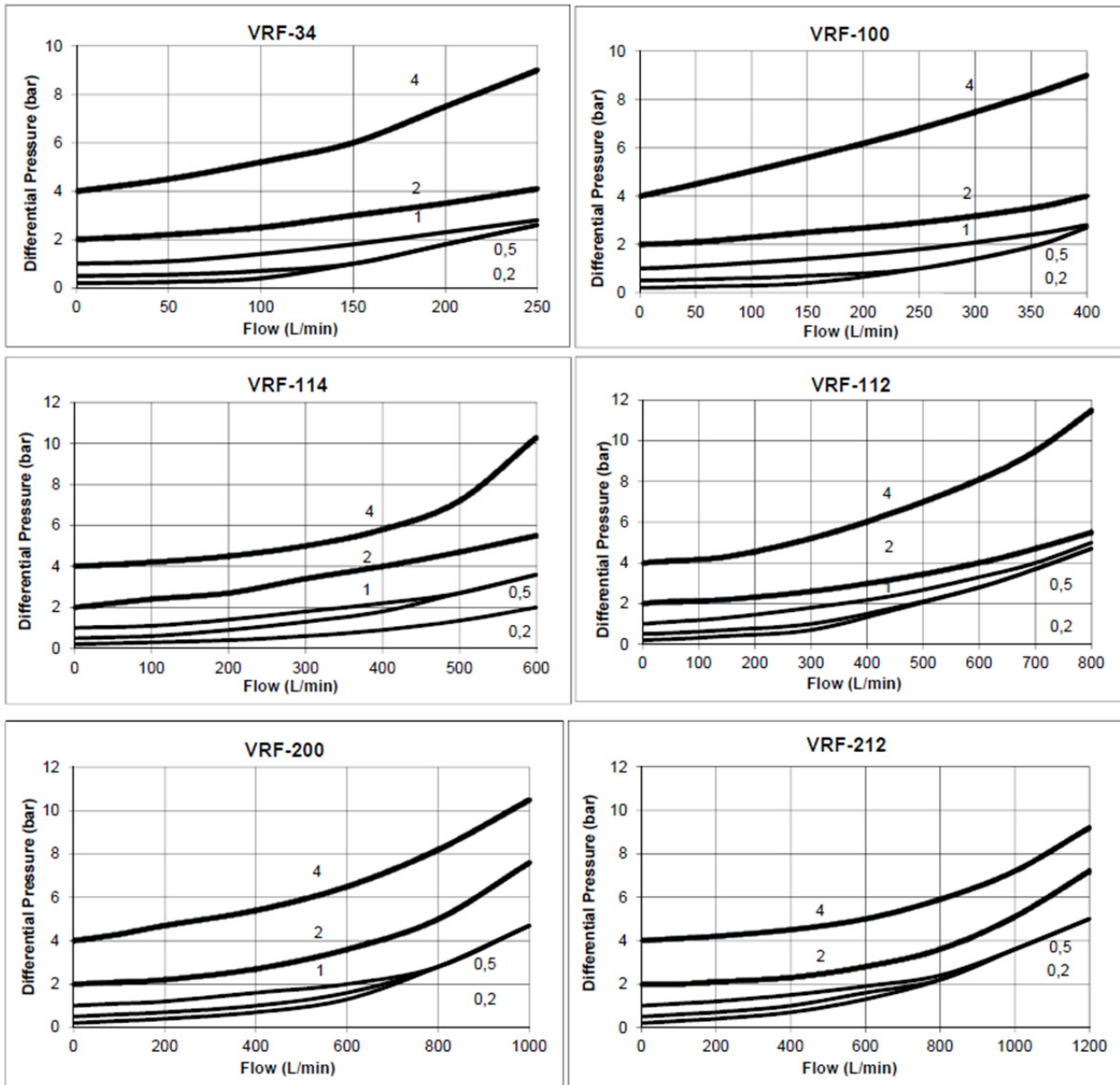
Dimensions



TYPE	A	B	H
VRF - 034	42.5	50	33
VRF - 100	47.9	55	38
VRF - 114	55.4	68	43
VRF - 112	65.8	78	48
VRF - 200	79.7	90	63
VRF - 212	104	130	85



Diagram



Installation rules

- The valves type VRF can be mounted in any position
- Fluid to be used: hydraulic oil in compliance with DIN 51524 rules, viscosity between 30 and 100 mm²/s (cSt) at 40°C
- Recommended filtration: 25μ
- Hydraulic fluid temperature: from -20° to +80°C



Ordering code

VRF	-	***	S3/6	-	**	-	***	**
-----	---	-----	------	---	----	---	-----	----

Code

VRF = Check valves for SAE - 3000/6000

Size :

034	= 3/4"
100	= 1"
114	= 1" 1/4"
112	= 1" 1/2"
200	= 2"
212	= 2" 1/2"

S3/6 = SAE - 3000/6000

Mountig :

CP = with plate (on request)
SP = without plate (standard)

Spring :

0,2 = bar
0,5 = bar
1 = bar
2 = bar
4 = bar

Seals material :

If omitted = NBR (standard)
/F = FKM

Note: In case of use of UNC bolts, please consult our Technical Department