

# CETOP-08/R SIZE SUBPLATE-MOUNTED CHECK VALVE



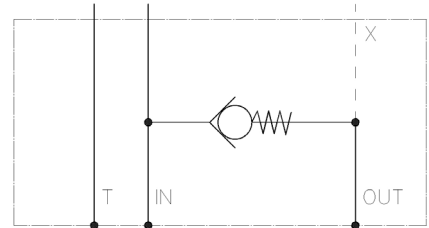
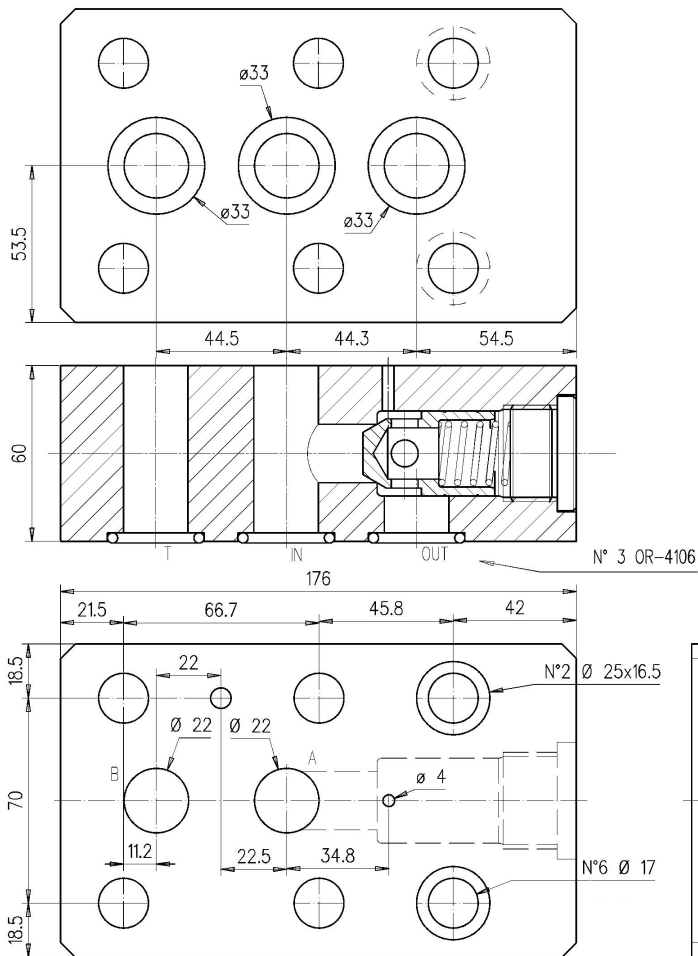
## Characteristics

TYPE	OPENING PRESSURE	MAX PRESSURE	WEIGHT
SBR-08/R	0.5 bar	350 bar	2.5 Kg.

**Description** Modular mounting check valve for cut-off valve.

## Dimensions

## Symbol



## Installation rules

- The valves type SBR can be mounted in any position
- Fluid to be used: hydraulic oil in compliance with DIN 51524 rules, viscosity between 30 and 100 mm<sup>2</sup>/s (cSt) at 40°C
- Recommended filtration: 25μ
- Hydraulic fluid temperature: from -20° to +75°C

## Ordering code

**SBR-08/R**

CETOP-08/R size subplate-mounted check valve