

CETOP-03 SIZE MODULAR CHECK VALVE



Characteristics

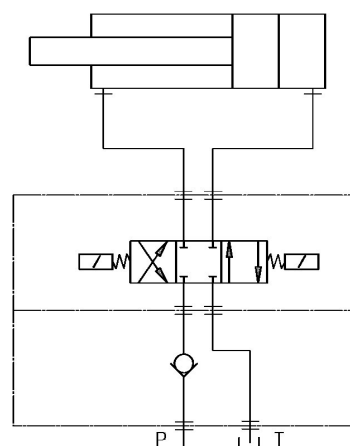
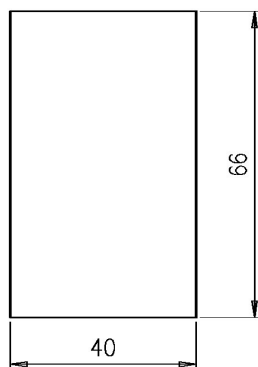
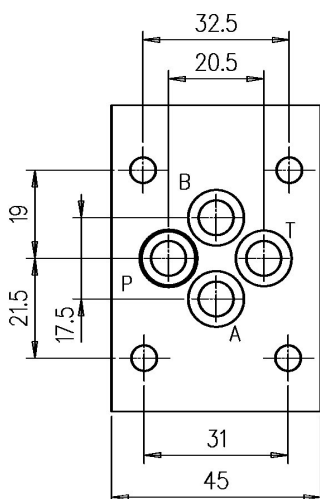
TYPE	FLOW	PRESSURE	WEIGHT
IRM-03/*	24 l/min.	350 bar	1 Kg.

Description Cetop-03 size modular check valves either on P or on T port.

Dimensions

Type IRM-03/P N°4 OR-108

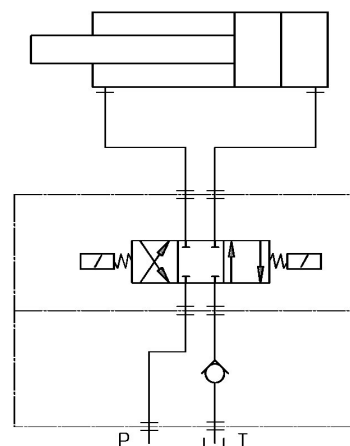
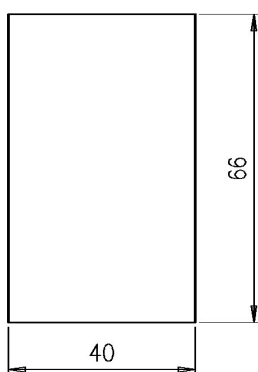
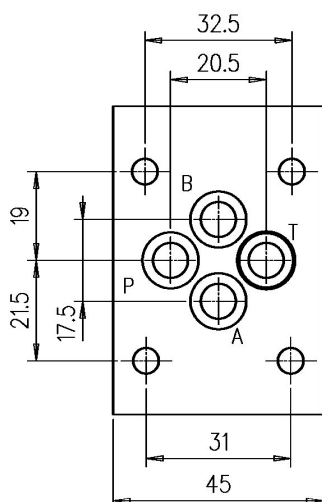
Symbol



Dimensions

Type IRM-03/T N°4 OR-108

Symbol



Installation rules

- The valves type IRM can be mounted in any position
- Fluid to be used: hydraulic oil in compliance with DIN 51524 rules, viscosity between 30 and 100 mm²/s (cSt) at 40°C
- Recommended filtration of 25µ
- Hydraulic fluid temperature: from -20° to +75°C

Ordering code

IRM-03 / *

P=check on P port

T=check on T port

CETOP 03 size modular check valve