

# IN-LINE CHECK VALVE



## Characteristics

TYPE	MAX FLOW	MAX PRESSURE
VR-14	16 l/min.	450 bar
VR-38	30 l/min.	450 bar
VR-12	60 l/min.	400 bar
VR-34	100 l/min.	400 bar
VR-100	160 l/min.	350 bar
VR-114	250 l/min.	350 bar
VR-112	600 l/min.	320 bar
VR-200	800 l/min.	320 bar

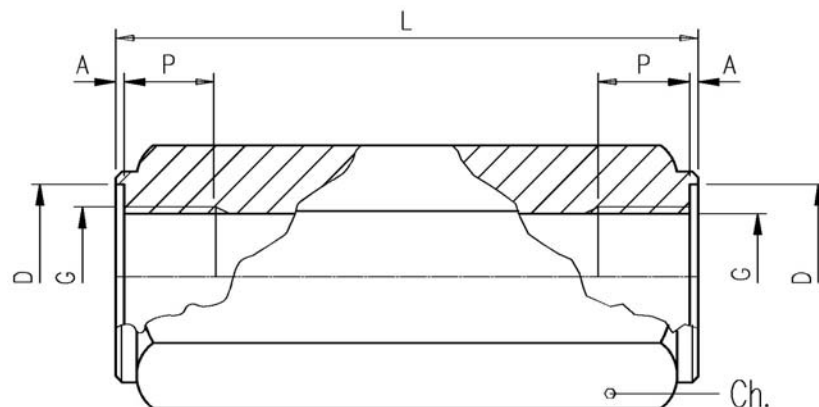
## Symbol



## Description

The check valves allow the fluid passage in one direction and prevent it in the opposite one. The mounting is in-line. They are available for flows up to 800 Lt./min. and pressures up to 400 bar according to the models.

## Dimensions



Mod.	A	Ch.	D	G	L	P
VR-14	1	22	19	1/4" BSP	65	12
VR-38	1	27	23	3/8" BSP	70	12
VR-12	1	32	27	1/2" BSP	82	15
VR-34	1.5	36	33	3/4" BSP	102	16
VR-100	1.5	46	40	1" BSP	120	20
VR-114	1.5	55	50	1" 1/4 BSP	137	21
VR-112		60		1" 1/2 BSP	155	26 (P+A)
VR-200		75		2" BSP	198	27 (P+A)

## Installation rules

- The valves type VR can be mounted in any position
- Fluid to be used: hydraulic oil in compliance with DIN 51524 rules, viscosity between 30 and 100 mm<sup>2</sup>/s (cSt) at 40°C
- Recommended filtration: 25μ
- Hydraulic fluid temperature: from -20° to +75°C

## Ordering code

VR - \*\* / \*

Opening pressure (0,5 if omitted) 2 = 2 bar 4 = 4 bar 8 = 8 bar

14=1/4"Bsp 38=3/8"Bsp 12=1/2"Bsp 34=3/4"Bsp 100=1"Bsp 114=1 1/4"Bsp 112=1 1/2"Bsp 200=2"Bsp

In-line check valve