

BRAKING VALVE



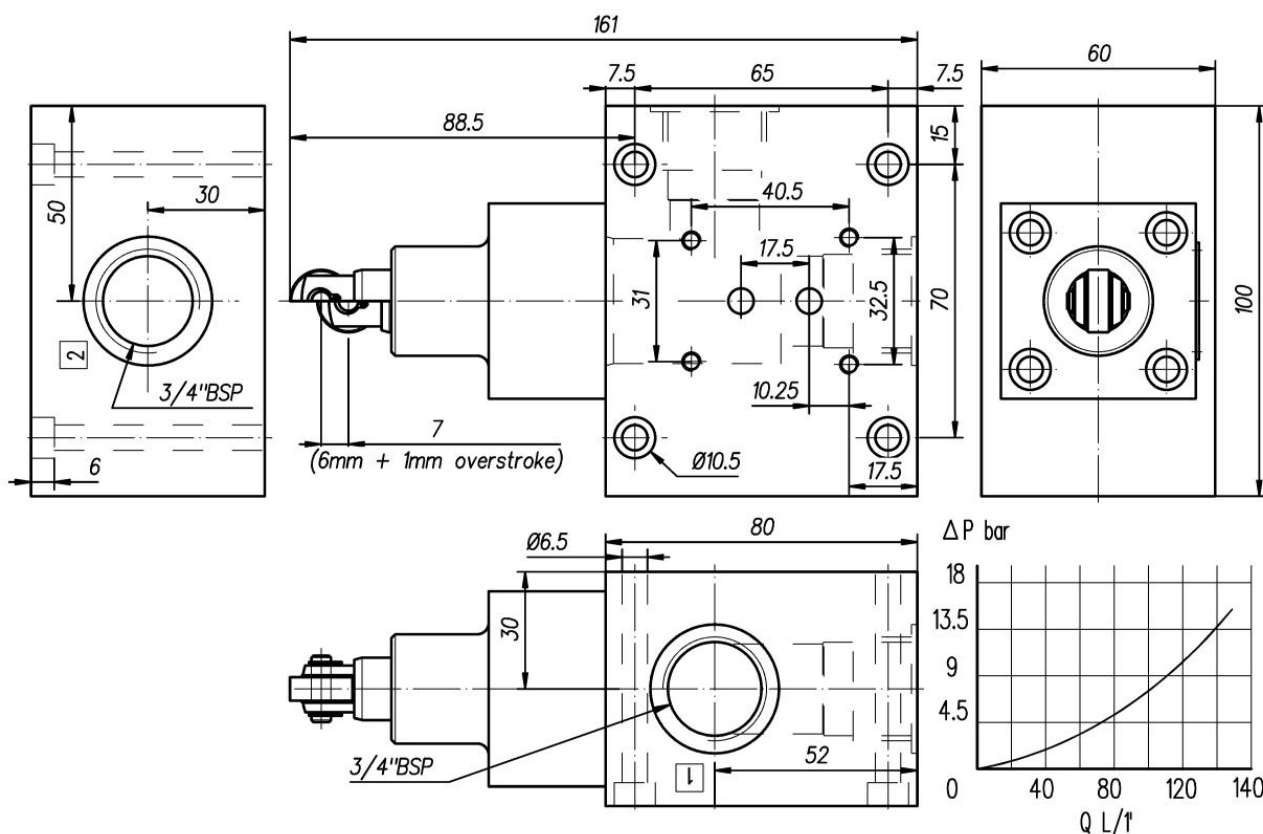
Characteristics

TYPE	1	L1	2	L2	FLOW	PRESSURE	WEIGHT
IF*-34/N*	3/4"	ø 33x1	3/4"	ø 33x1	130 L/min.	210 bar	4 Kg.

Description

The braking valves type IF allow the gradual adjustment of flow by changing the position of duty-shaped cartridge. They are especially used in the deceleration and speed control of actuators. These valves can be supplied either with normally opened or closed 3/4" BSP threads.

Dimensions



Installation rules

- The valves type IF can be mounted in any position
- Fluid to be used: hydraulic oil in compliance with DIN 51524 rules, viscosity between 30 and 100 mm²/s (cSt) at 40°C
- Recommended filtration: 25μ
- Hydraulic fluid temperature: from -20° to +75°C

Symbol

