



## Characteristics

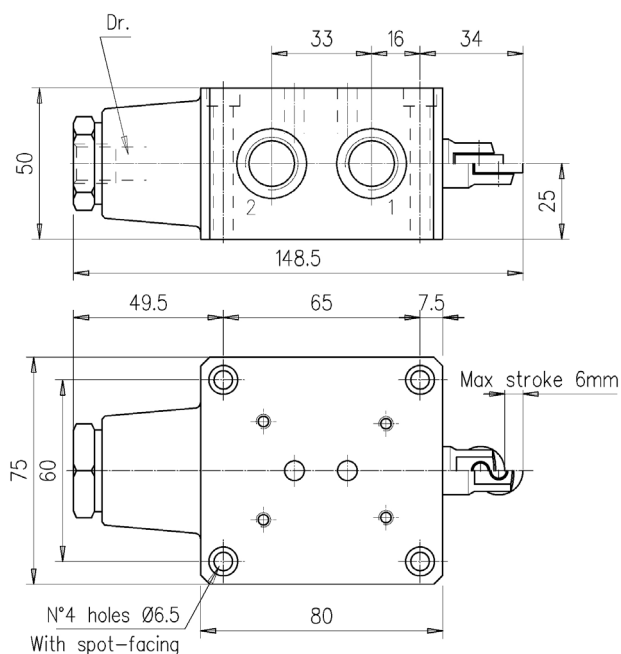
TYPE	1	Spot-facing 1	2	Spot-facing 2	Dr	Spot facing Dr	FLOW	PRESSURE	WEIGHT
IF*- 38/N*	3/8"	ø 23x1	3/8"	ø 23x1	1/4"	ø 19x1	40 L/min.	250 bar	2,2 Kg.
IF*- 12/N*	1/2"	ø 27x1	1/2"	ø 27x1	1/4"	ø 19x1	50 L/min.	250 bar	2,2 Kg.

## Description

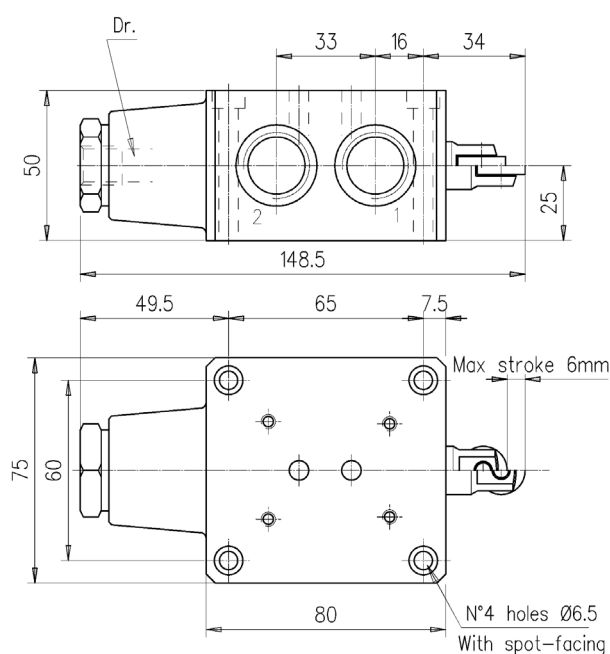
The braking valves type IF allow the gradual adjustment of flow by changing the position of duly-shaped spool. They are especially used in the deceleration and speed control of actuators. These valves can be supplied either with normally opened or closed 3/8" or 1/2" BSP threads.

## Dimensions

IF\*- 38/N\*



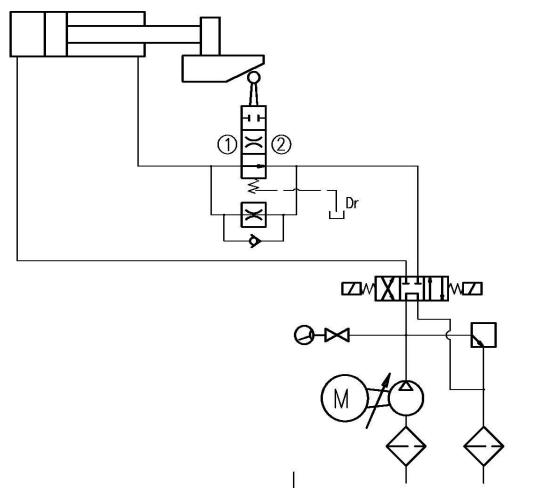
IF\*- 12/N\*



## Installation rules

- The valves type IF can be mounted in any position.
- Fluid to be used: hydraulic oil in compliance with DIN 51524 rules, viscosity between 30 and 100 mm<sup>2</sup>/s (cSt) at 40°C
- Recommended filtration: 25µ
- Hydraulic fluid temperature: from -20° to +75°C
- No pressure is allowed on draining port

## Symbol

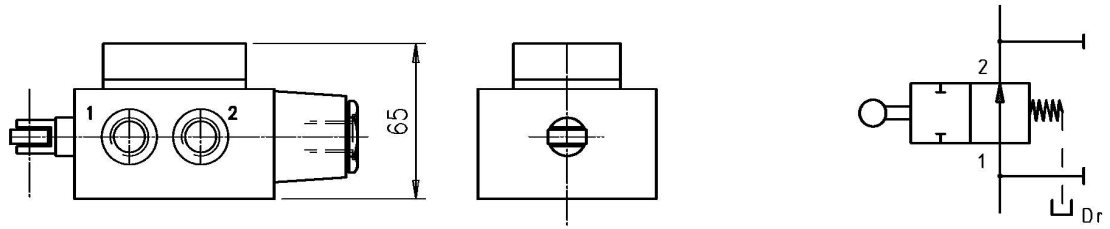


# BRAKING VALVE

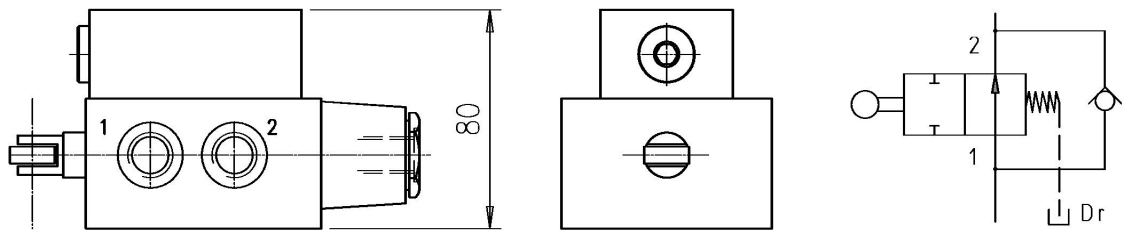


## Overall dimensions

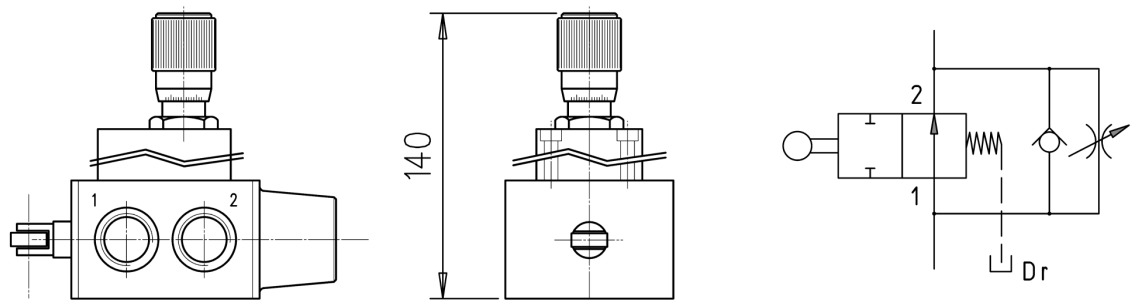
IFC



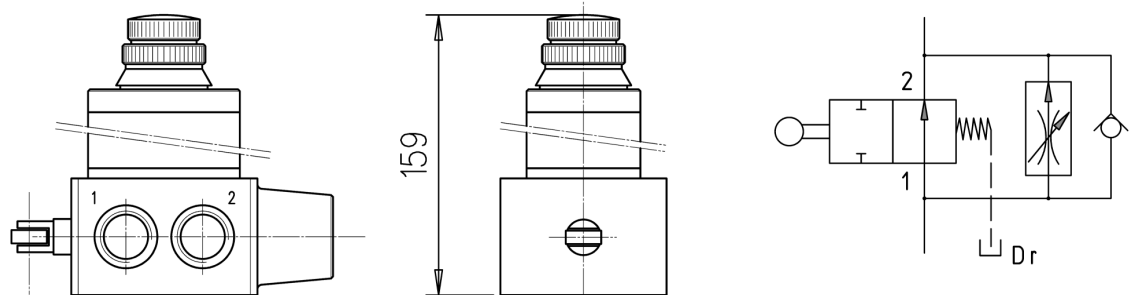
IFR



IFP



IFQ



## Ordering code

