

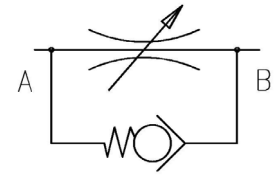
CETOP-03 SIZE ONE-WAY FLOW REGULATION VALVE



Characteristics

TYPE	MAX FLOW	MAX PRESSURE	WEIGHT
IQR-03/15	15 l/min.	320 bar	Kg. 1.1

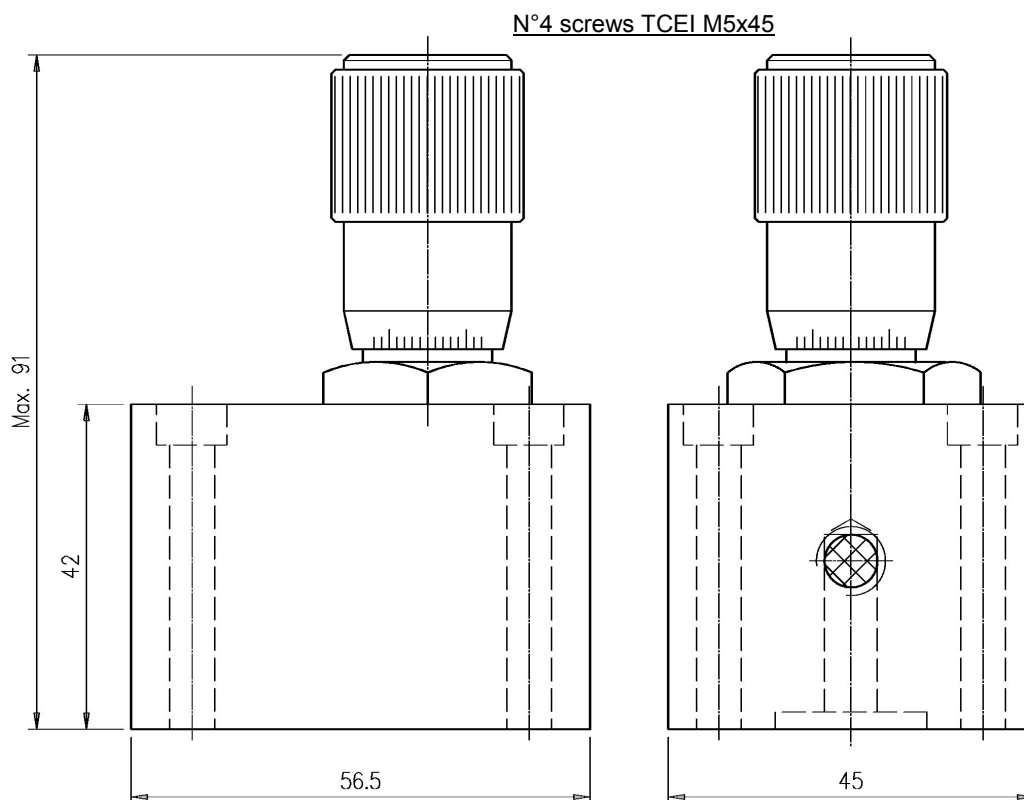
Symbol



Description

Cetop-03 size one-way, non compensated, flow regulation valves designed for Cetop-03 subplate mounting.

Dimensions



Installation rules

- The valves type IQR can be mounted in any position
- Fluid to be used: hydraulic oil in compliance with DIN 51524 rules, viscosity between 30 and 100 mm²/s (cSt) at 40°C
- Recommended filtration: 25μ
- Hydraulic fluid temperature: from -20° to +75°C

Ordering code

IQR-03/15

CETOP 03 size, one-way, flow regulation valve