

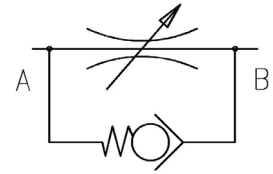
# CETOP-03 SIZE ONE-WAY FLOW REGULATION VALVE



## Characteristics

TYPE	MAX FLOW	MAX PRESSURE	WEIGHT
IQR-03/2.2	2.2 l/min.	320 bar	Kg. 1.3

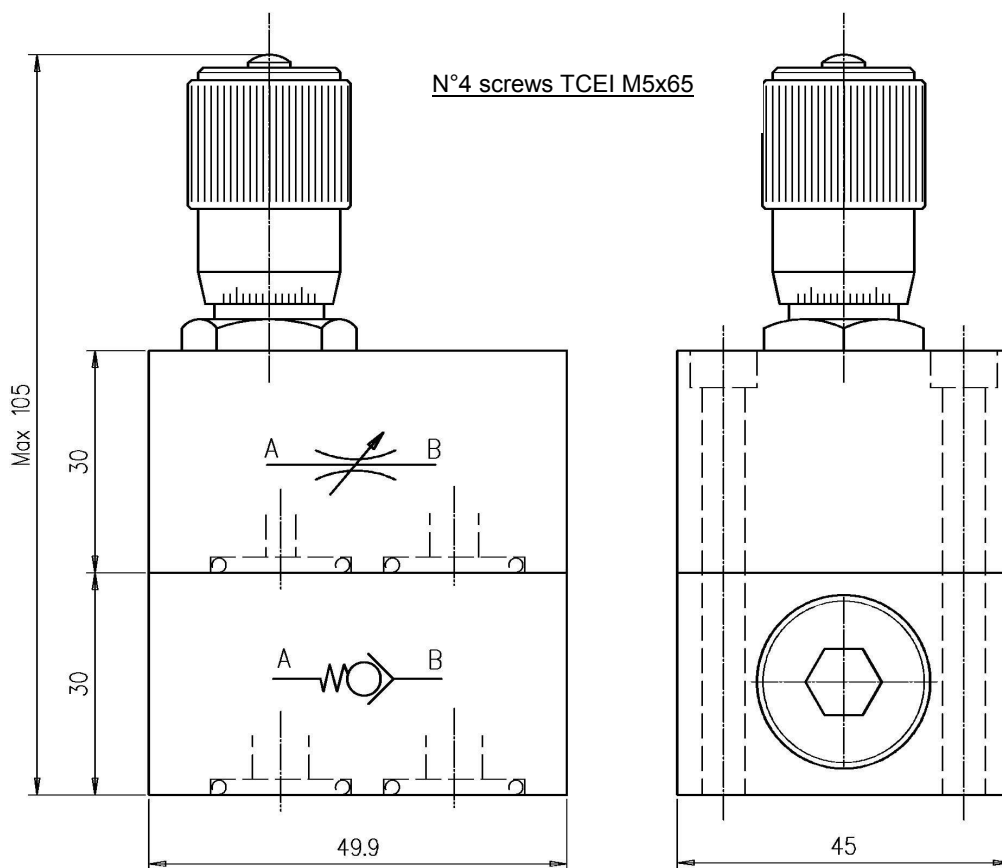
## Symbol



## Description

Cetop-03 size one-way, non compensated, flow regulation valves designed for Cetop-03 subplate mounting. They allow a very precise adjustment especially for small flows.

## Dimensions



## Installation rules

- The valves type IQR can be mounted in any position
- Fluid to be used: hydraulic oil in compliance with DIN 51524 rules, viscosity between 30 and 100 mm<sup>2</sup>/s (cSt) at 40°C
- Recommended filtration: 25μ
- Hydraulic fluid temperature: from -20° to +75°C

## Ordering code

IQR-03/2.2

CETOP 03 size, one-way, flow regulation valve