

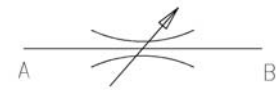
CETOP-03 SIZE, TWO-WAY, FLOW REGULATION VALVE



Characteristics

Symbol

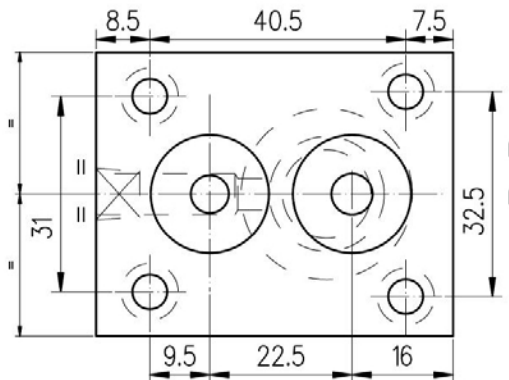
TYPE	MAX FLOW	MAX PRESSURE	WEIGHT
IQ-03/15	15 l/min.	320 bar	Kg. 1.1



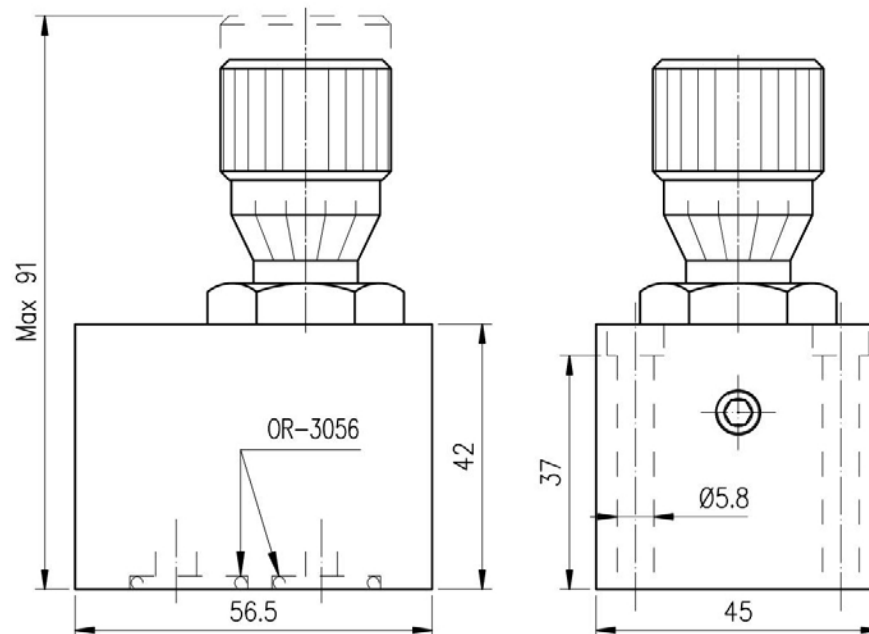
Description

Cetop-03 size two-way, non compensated, flow regulation valves designed for Cetop-03 subplate mounting.

Dimensions



N°4 screws TCEI M5x45



Installation rules

- The valves type IQ can be mounted in any position
- Fluid to be used: hydraulic oil in compliance with DIN 51524 rules, viscosity between 30 and 100 mm²/s (cSt) at 40°C
- Recommended filtration: 25µ
- Hydraulic fluid temperature: from -20° to +75°C

Ordering code

IQ-03/15

CETOP-03 size, two-way, flow regulation valve