

IN LINE PRESSURE REDUCING PROPORTIONAL VALVE



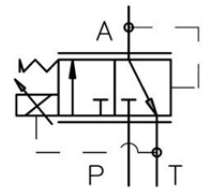
Characteristics

TYPE	MAX FLOW	MAX PRESSURE on P	MAX PRESSURE on T	MAX ADJUSTABLE PRESSURE	MAX VOLTAGE	WEIGHT
IRGPL	4 l/min.	210 bar	35 bar	0 ÷ 35 bar	1.2 Amp. 12 DC 0.75 Amp. 24 DC	Kg. 1

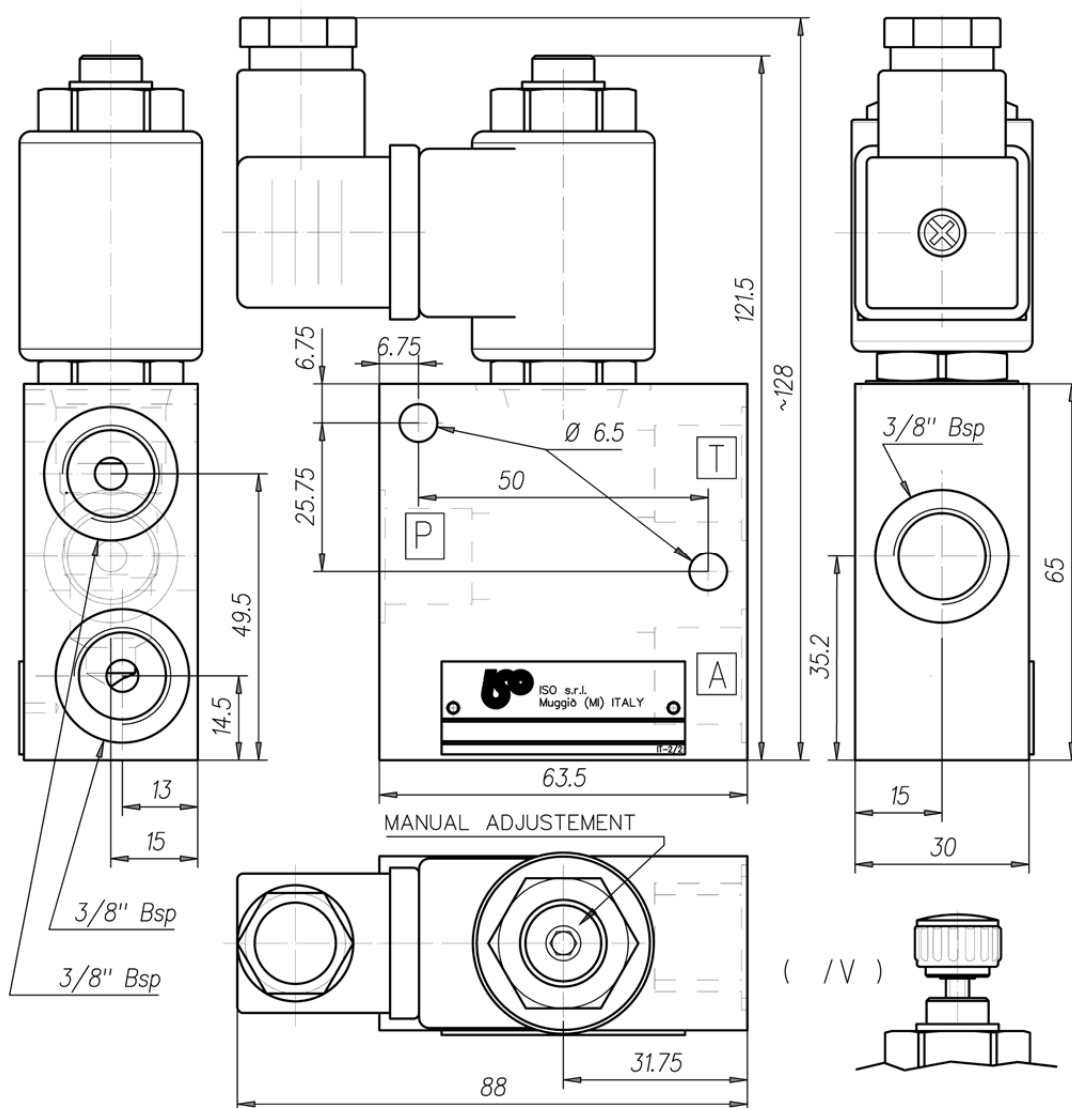
Description

Direct-operated, in line, pressure reducing, proportional valve. The adjustment of the reduced pressure is achieved through an electronic control (electronic regulator) which acts on the valve solenoid. A manual emergency device is provided through an external socket head screw or hand wheel.

Symbol



Dimensions



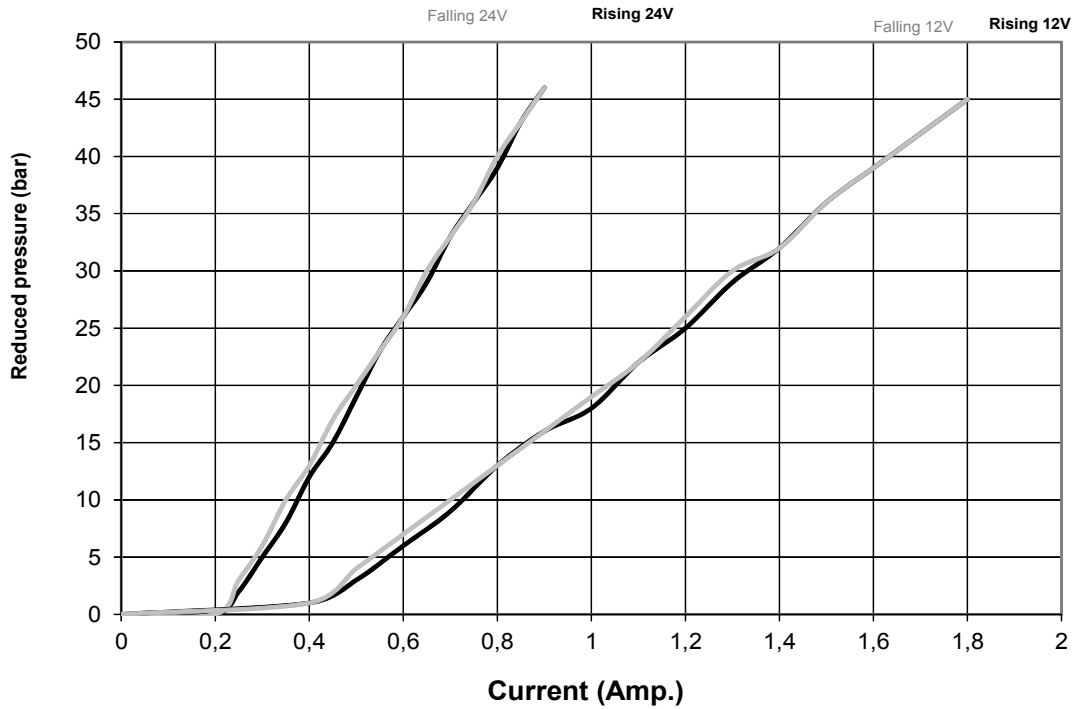
IN LINE PRESSURE REDUCING PROPORTIONAL VALVE



Installation rules

- The valves type IRGPL can be mounted in any position
- Fluid to be used: hydraulic oil in compliance with DIN 51524 rules, viscosity between 30 and 100 mm²/s (cSt) at 40°C
- Recommended filtration: 25µ
- Hydraulic fluid temperature: from -20° to + 75°C

Curve



Ordering code

IRGPL	-	030	**	**	**	**	**
		Coil voltage : 12 = 12DC 24 = 24DC		Series number			
		Connectors: -N = with connector DIN-43650 -X = (without connector) XK = with connector Deutsch DT04-2P		Adjustments : if omit it = external socket screw /V = with handwheel			
		Setting : 030 = 2 - 35		Seals material: if omit it = NBR (standard) /F = FKM /E = EPDM			
In line pressure reducing proportional valve							