

CETOP-03 SIZE PRESSURE RELIEF VALVE



Characteristics

| TYPE | PRESSURE | MAX FLOW (l/min.) |
|---------------|-------------|-------------------|
| VMM-03*/100/* | 30-100 bar | 35 |
| VMM-03*/210/* | 50-210 bar | |
| VMM-03*/350/* | 100-350 bar | |

Description

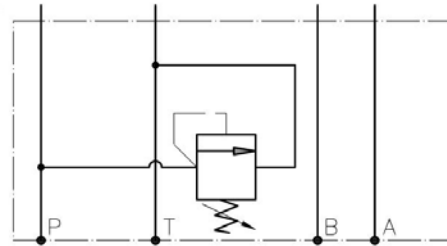
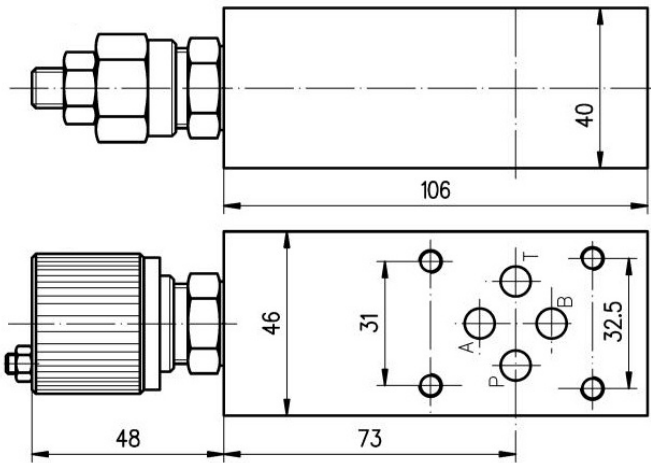
Direct acted CETOP-03 size modular pressure relief valve. Pressure adjustment is achieved by loosening the locking nut and turning the cartridge screw. (clockwise it increases). Upon request, it is supplied with adjustment handwheel.

Dimensions

Symbol

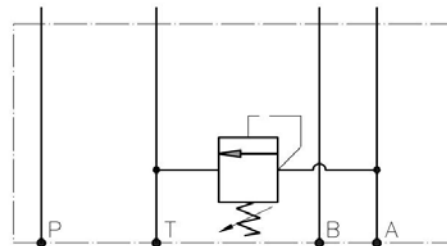
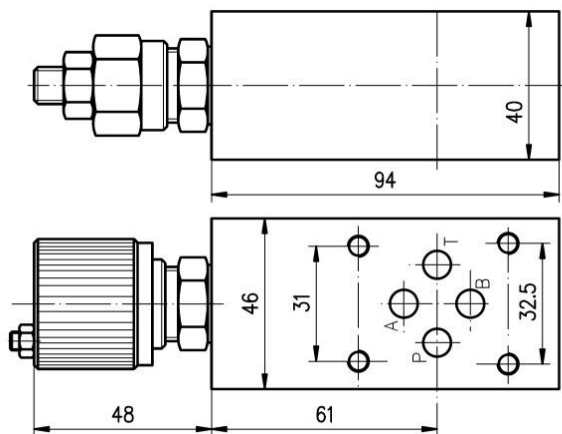
VMM-03/P

Weight 1.4 Kg



VMM-03/A

Weight 1.4 Kg

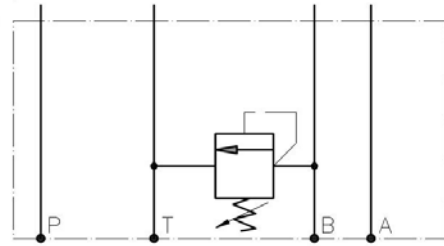
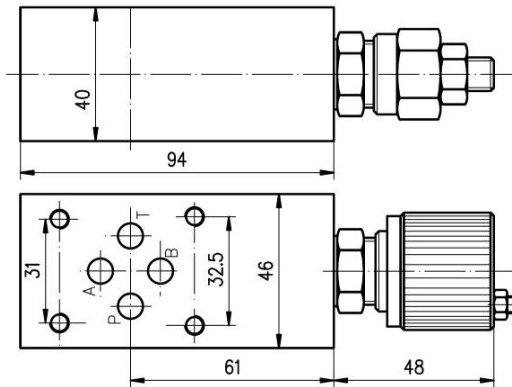


CETOP-03 SIZE PRESSURE RELIEF VALVE



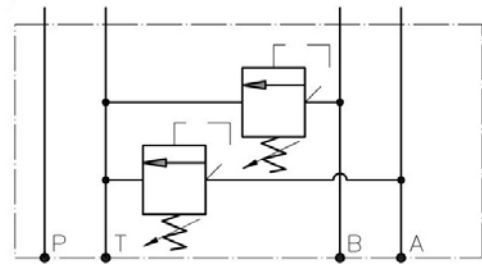
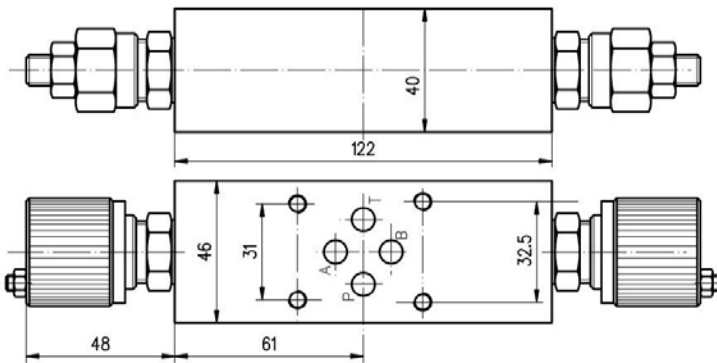
VMM-03/B

Weight 1.4 Kg



VMM-03/AB

Weight 1.6 Kg



Installation rules

Seals

N°4 OR-108

- VMM valves can be mounted in any position.
- Fluid to be used: mineral oil, or fluid having the same characteristics, (viscosity between 2.8 and 380 cSt)
The use of mineral oils is recommended (H-LP according DIN-51524 part2)
- Recommended filtration: 25µ
- Hydraulic fluid temperature: -20° e +75°C

Ordering code

