

# CETOP-03 PROPORTIONAL PRESSURE REDUCING VALVE

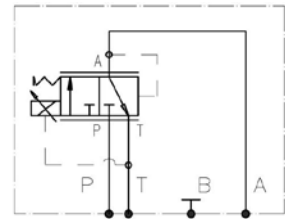
## Characteristics

TYPE	MAX FLOW	MAX PRESSURE "P"	MAX PRESSURE "T"	MAX REGULATED PRESSURE	MAX CURRENT	WEIGHT
IRGP- 03	4 l/min	210 bar	35 bar	0 ÷ 35 bar	1.2 Amp. 12 DC 0.75 Amp. 24 DC	Kg. 1.2

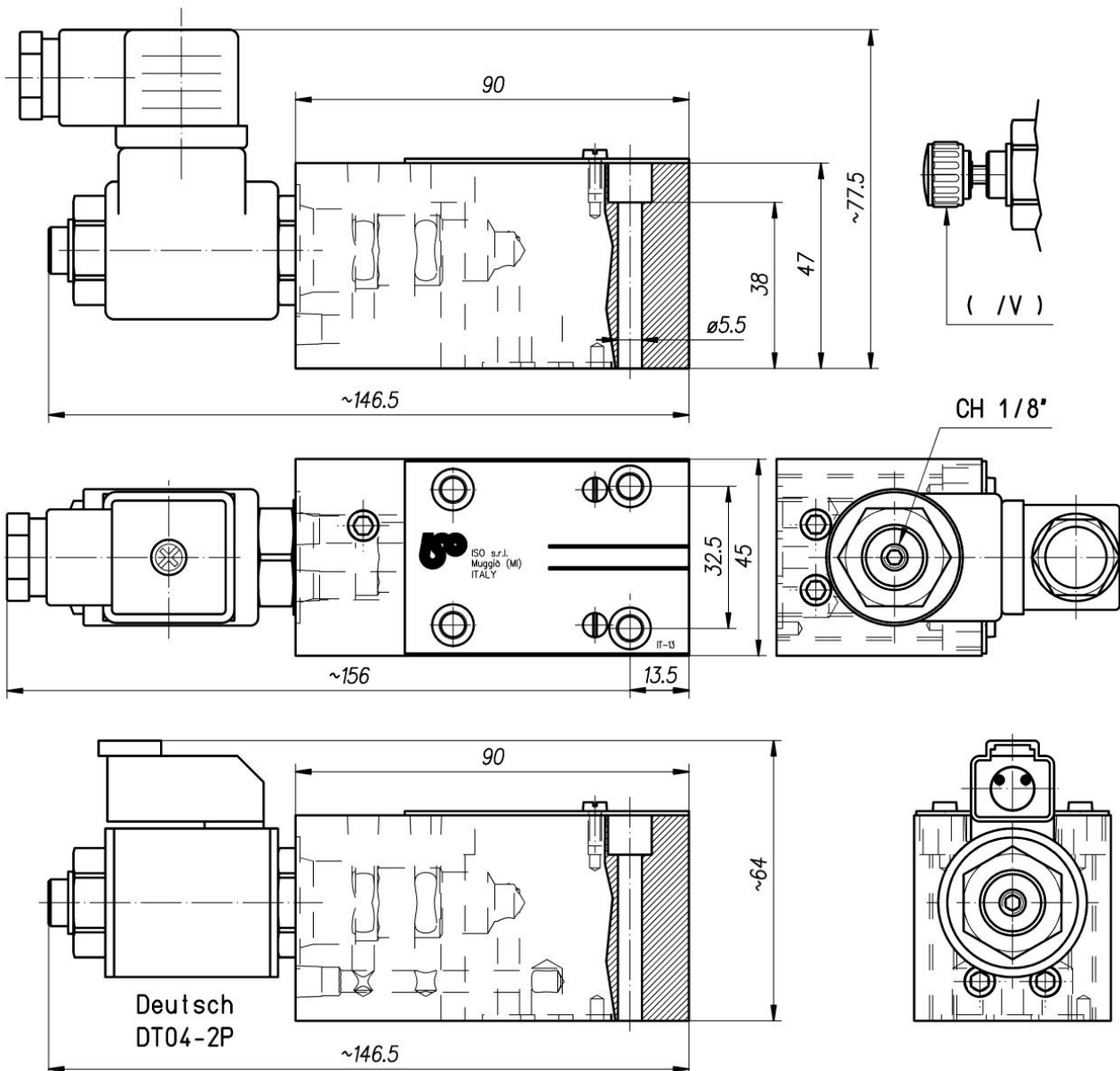
## Description

Cetop-03 proportional pressure reducing valve. Reduced pressure adjustment is achieved through an electronic control (electronic drivers) operating on the valve solenoid. The valve is equipped with manual safety device through setscrew wrench (CH-1/8") or, on request, through handwheel.

## Symbol



## Dimension

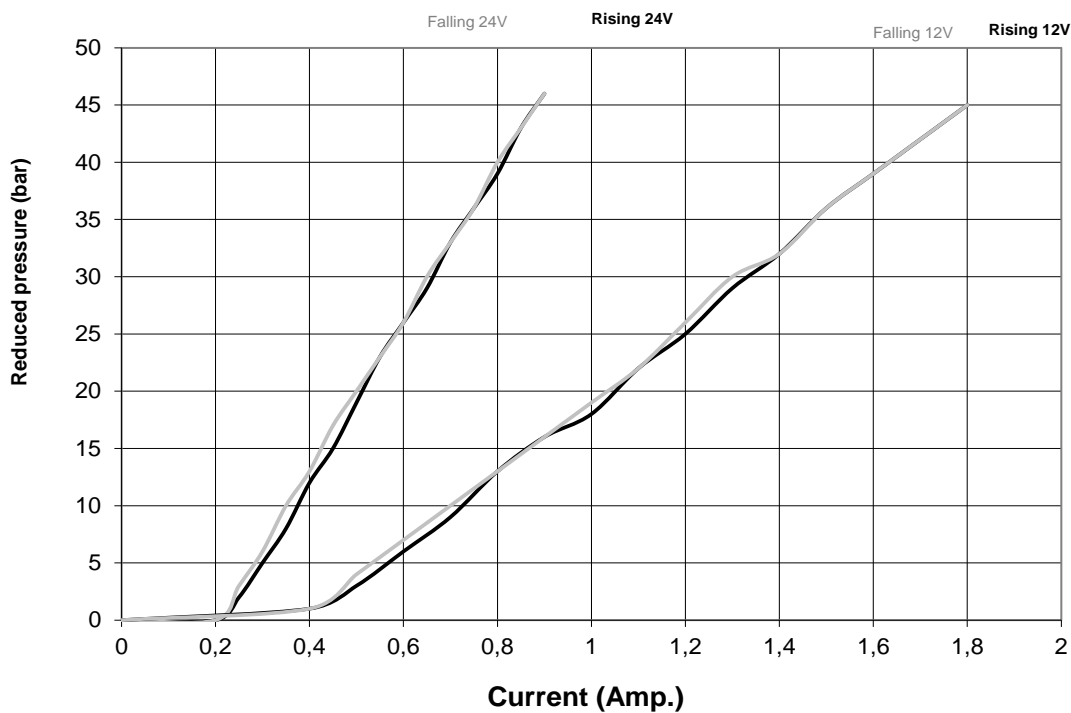


# CETOP-03 PROPORTIONAL PRESSURE REDUCING VALVE

## Installation rules

- The valves type IRGP can be mounted in any position.
- Fluid to be used: hydraulic oil in compliance with DIN 51524 rules, viscosity between 30 and 100 mm<sup>2</sup>/s (cSt) at 40°C
- Recommended filtration: 25µ
- Hydraulic fluid temperature: from -20° to +75°C

## Diagram



## Ordering code

IRGP-03	-	030	**	**	**	**	**
		<b>Coil voltage :</b> 12 = 12DC 24 = 24DC			<b>Series number</b> <b>Adjustments :</b> if omit it = external socket screw /V = with handwheel		
		<b>Connectors:</b> -N = with connector DIN-43650 -X = ( without connector) XK = with connector Deutsch DT04-2P			<b>Seals material:</b> if omit it = NBR (standard ) /F = FKM /E = EPDM		
		<b>Setting : 030 = 2 - 35</b>					
CETOP-03 pressure reducing proportional valve							