

CETOP-03 SIZE MODULAR SEQUENCE VALVE

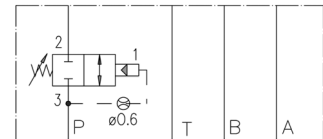


Characteristics

TYPE	MAX FLOW	MAX PRESSURE	WEIGHT
IRS-03/P	40 l/min.	315 bar	Kg. 0.8

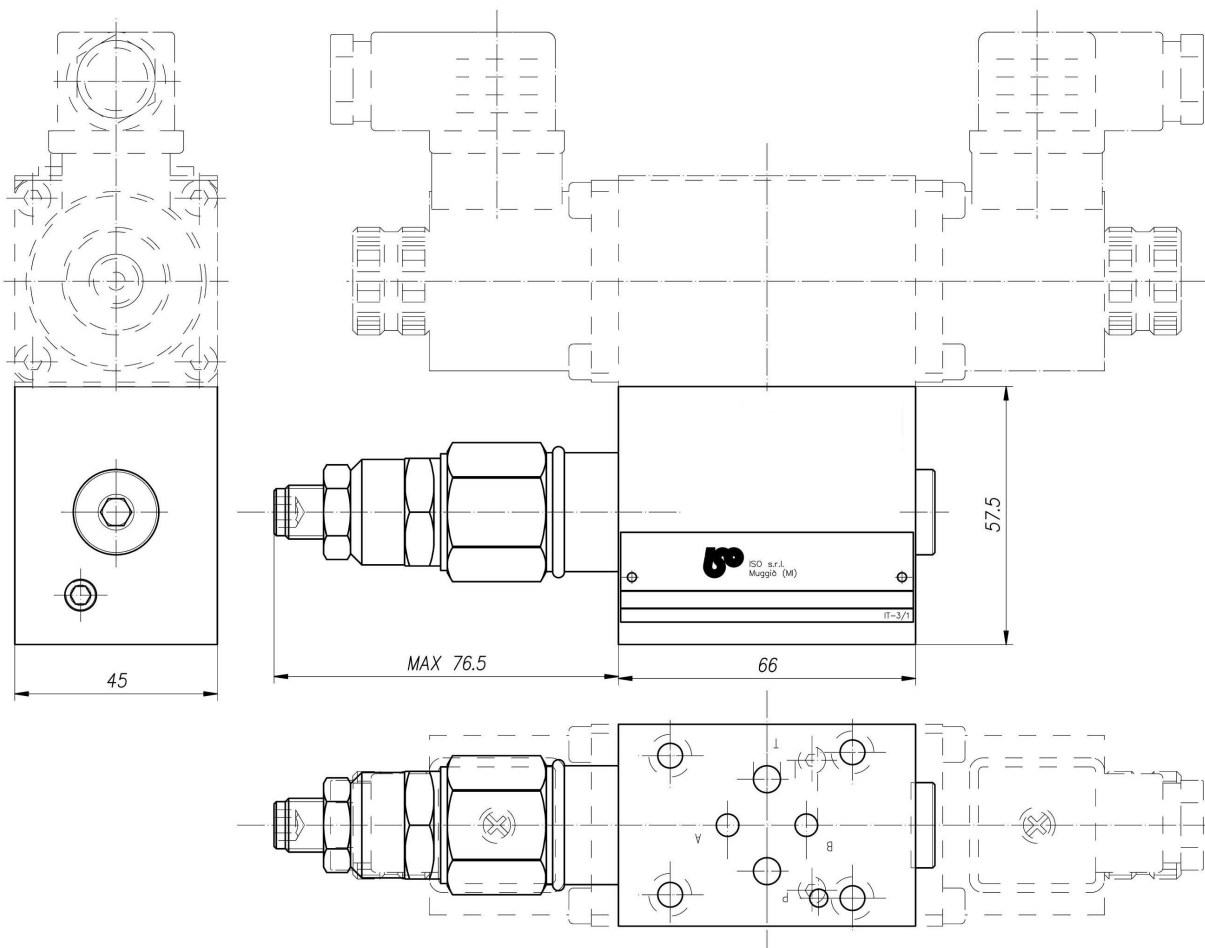
Descrizione Valvola modulare di sequenza Cetop-03. La regolazione della pressione si effettua agendo sulla vite di regolazione (in senso orario aumenta, in senso antiorario diminuisce).

Symbol



Description Cetop-03 size, modular sequence valve. The reduced pressure setting is achieved by regulating the adjusting handle (clockwise it increases).

Dimensions

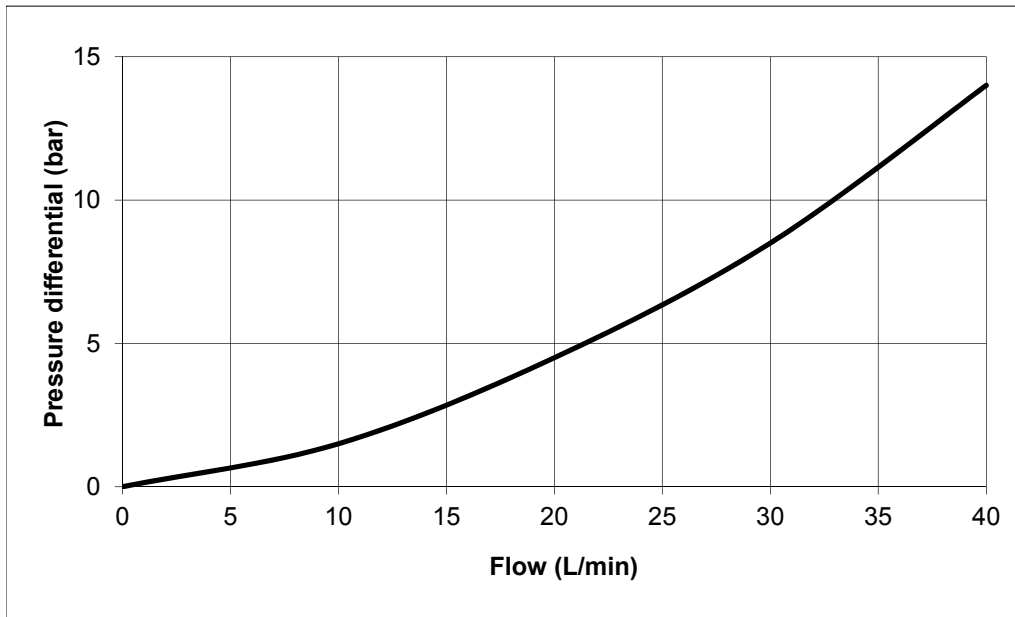




Installation rules

- The valves type IRS can be mounted in any position
- Fluid to be used: hydraulic oil in compliance with DIN 51524 rules, viscosity between 30 and 100 mm²/s (cSt) at 40°C
- Recommended filtration: 25μ
- Hydraulic fluid temperature: from -20° to +75°C

Diagram



Ordering code

IRS-03/P ***
 Setting range: 40=3-40 bar 120=30-120 bar
 CETOP-03 size modular sequence valve