

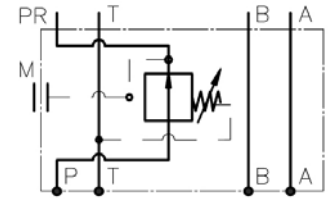
CETOP-03 SIZE MODULAR PRESSURE REDUCING VALVE



Characteristics

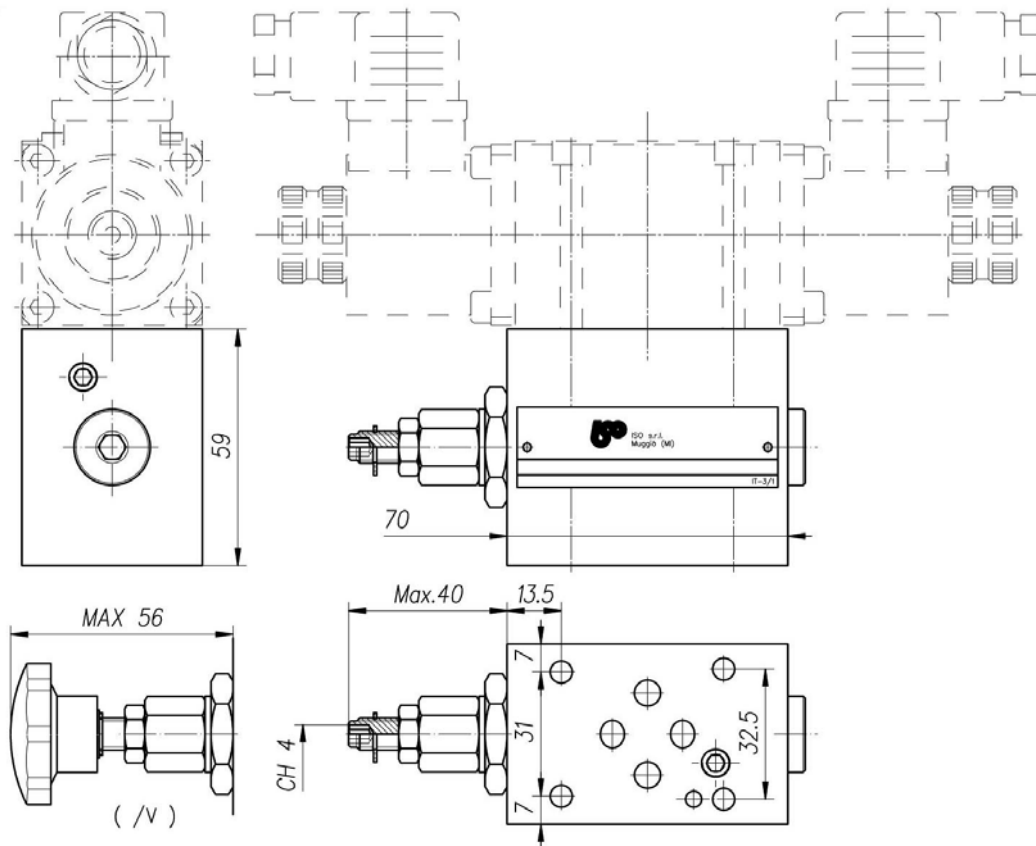
Symbol

| TYPE | MAX FLOW | MAX PRESSURE | REDUCED MAXIMUM PRESSURE | WEIGHT |
|----------|-----------|--------------|--------------------------|---------|
| IRG-03/P | 40 l/min. | 315 bar | 210 bar | Kg. 0.8 |



Description Cetop-03 size, two-way, pilot-operated, modular, pressure reducing valve.
The reduced pressure setting is achieved by regulating the adjusting handle (clockwise it increases).

Dimensions



Installation rules

Diagram

- The valves type IRG can be mounted in any position
- Fluid to be used: hydraulic oil in compliance with DIN 51524 rules, viscosity between 30 and 100 mm²/s (cSt) at 40°C
- Recommended filtration: 25µ
- Hydraulic fluid temperature: from -20° to +75°C

Ordering code

| | | |
|---|--|---|
| IRG-03/P | *** | * |
| | V = with handwheel (otherwise omit it) | |
| | Setting range: 140=4-140 bar 210=7-210 bar | |
| CETOP-03 size modular pressure reducing valve | | |

Load drop

