

CETOP-05 SIZE LEVER-OPERATED DISTRIBUTOR

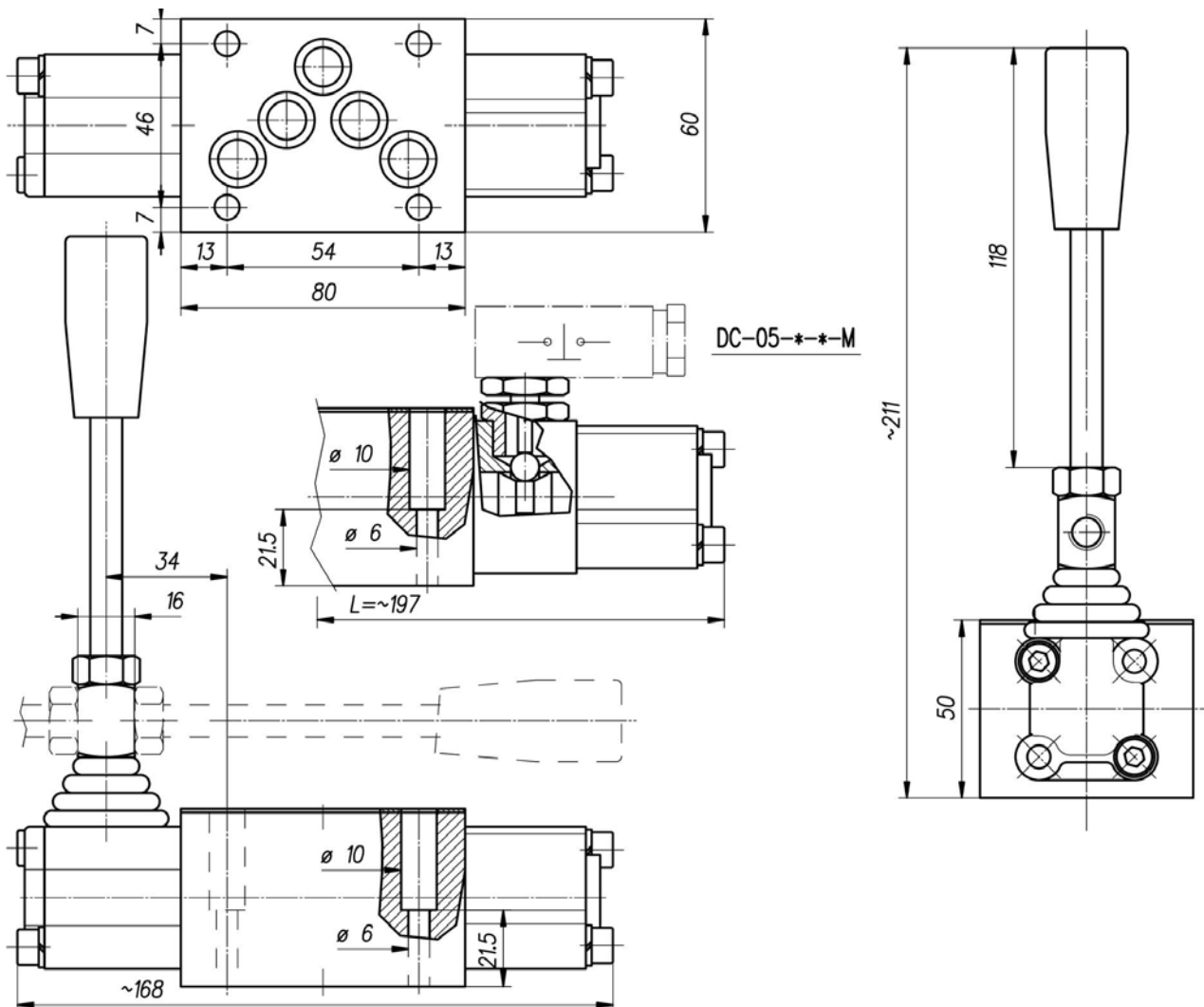


Characteristics

| TYPE | MAX PRESSURE | SUGGESTED MAX FLOW | WEIGHT |
|------------|--------------|--------------------|--------|
| DC-05-**-* | 350 bar | 70 l/min | 2 Kg. |

Description Cetop-05 size, lever-operated, four-way, two or three- position, spool distributor.

Dimensions



Installation rules

- The distributors type DC-05 can be mounted in any position
- Fluid to be used: hydraulic oil in compliance with DIN 51524 rules, viscosity between 30 and 100 mm²/s (cSt) at 40°C
- Recommended filtration: 25μ
- Hydraulic fluid temperature: from -20° to +75°C

CETOP-05 SIZE LEVER-OPERATED DISTRIBUTOR



"A" TABLE

"B" TABLE

Type of control

Type of spool

| | |
|------|---|
| 1 | <p>3 positions, spring return to the center position</p> |
| 2 | <p>2 positions - spring return to the internal position</p> |
| 4 | <p>3 positions - with detent in three position</p> |
| 5 | <p>2 positions - with detent in two positions</p> |
| 6 | <p>2 positions - with detent in two positions</p> |
| 6*/A | <p>2 positions - with detent in two positions</p> |

| | | | |
|---|--|---|--|
| 0 | | 5 | |
| 1 | | 6 | |
| 3 | | 7 | |
| 4 | | | |

Ordering code

DC-05 - * - * -M

-M equipped with microswitch (otherwise omit it)

Spool type (see B table)

Control type (see A table)

Lever operated distributor