

# IN-LINE PRESSURE RELIEF VALVE



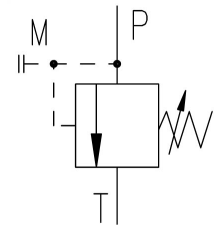
## Characteristics

TYPE	MAX FLOW	MAX PRESSURE	WEIGHT
VML-34	250 l/min.	350 bar	Kg. 4.5
VML-114	300 l/min.	350 bar	Kg. 6.5

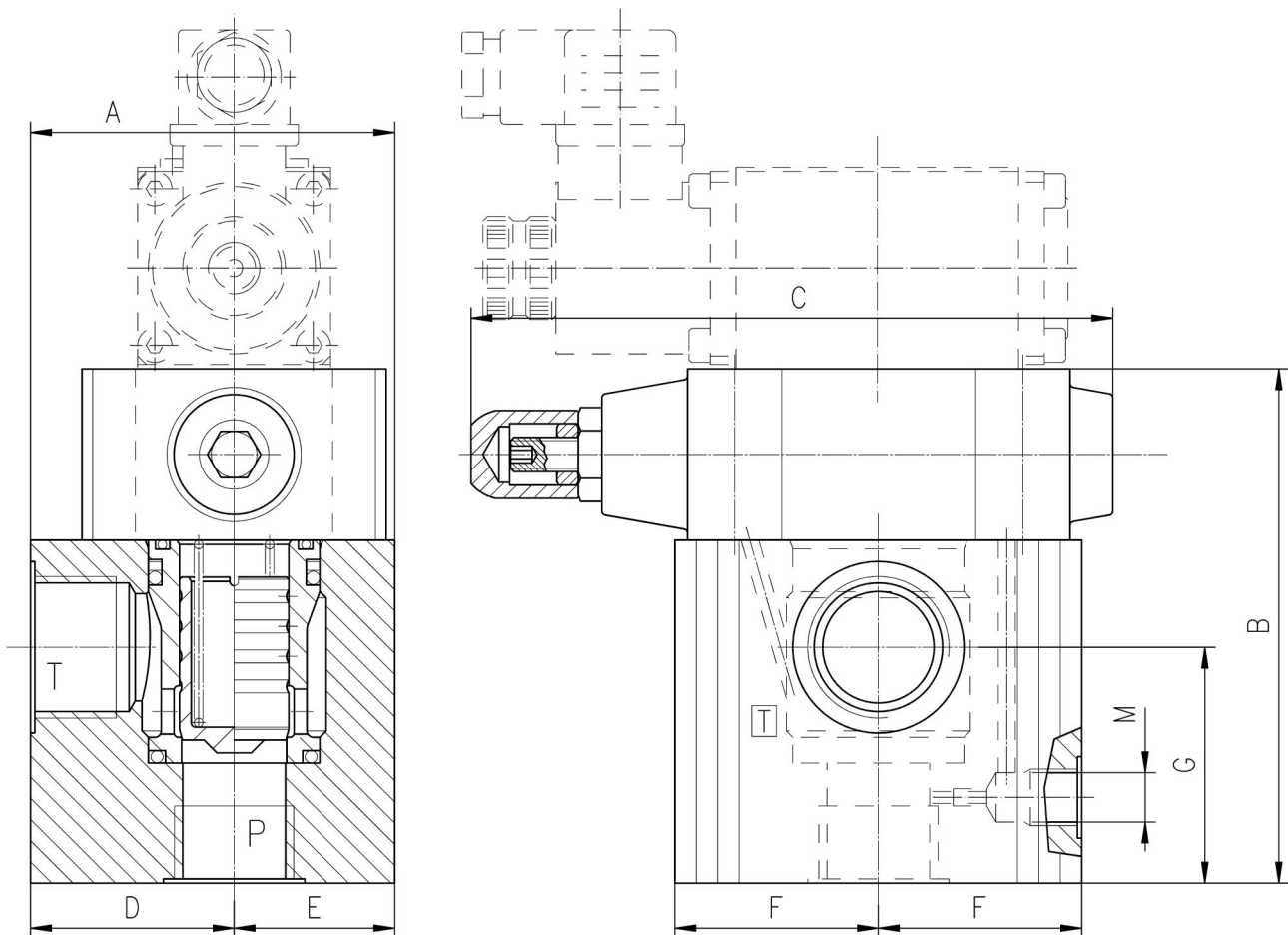
## Description

Cartridge, manually adjustable, two stage pressure relief valves. The pressure setting is achieved by loosening the fastening bolt and rotating the grub screw clockwise to increase the pressure or counter clockwise to decrease it. They can be supplied with connection for Cetop-03 size venting solenoid valve of the pump or of proportional pressure solenoid valve.

## Symbol



## Dimensions



TYPE	A	B	C	D	E	F	G	M	P	T
VML-34	85	120	143	47.5	37.5	47.5	55	1/4" Bsp	3/4" Bsp	1" Bsp
VML-114	102	133	143	65	37	47.5	58	1/4" Bsp	1" 1/4 Bsp	1" 1/2 Bsp

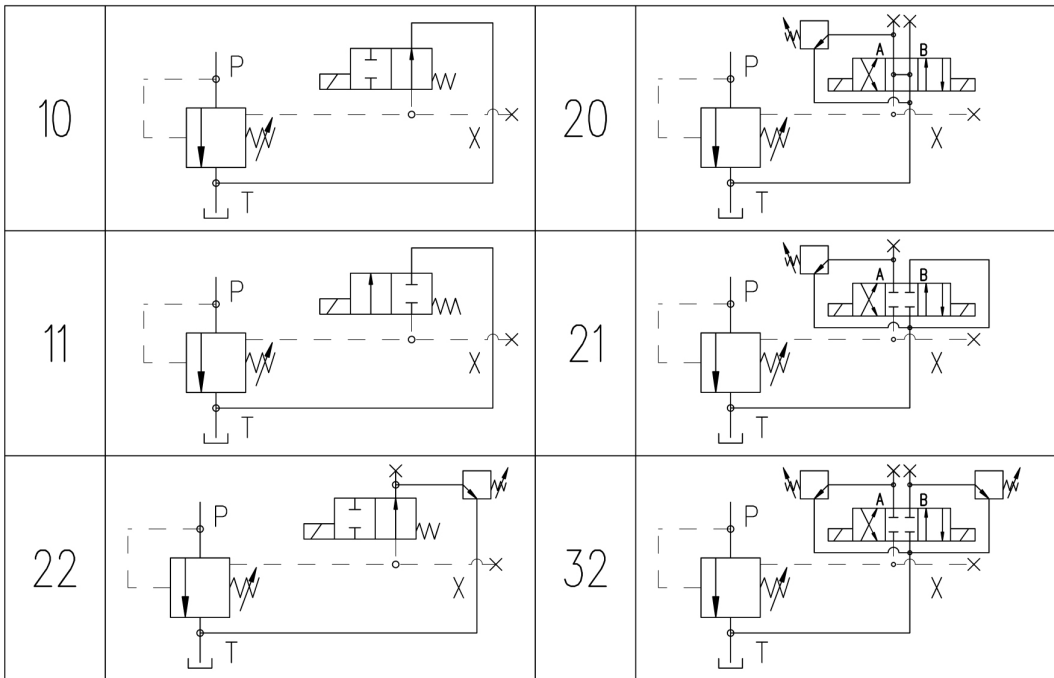
# IN-LINE PRESSURE RELIEF VALVE



## Installation rules

- The valves type VML can be mounted in any position
- Fluid to be used: hydraulic oil in compliance with DIN 51524 rules, viscosity between 30 and 100 mm<sup>2</sup>/s (cSt) at 40°C
- Recommended filtration: 25µ
- Hydraulic fluid temperature: from -20° to +75°C

## Pilots table



## Ordering code

VML - \*\*\* / \* / \*\*\* / \* / \* / \*\*\*\*\* / \*\* / \*

**V** = with handwheel  
 Synthetic fluids: WG = water-glycol PE = phosphate ester

Supply voltage :	Direct current	Alternate current	
	12DC	110/50/60	
	24DC	230/50/60	
	28DC	48/50	
	110 RC	(other voltages on request)	

**X** = without connector  
**N** = with DIN-43650 IP-65 connector  
**Q** = connector with built-in rectifier bridge

**D** = external drain 1/4" BSP

Pressure range diagram : **100**=06-100 bar **210**=07-210 bar **350**=08-350 bar

**P** = pre-arrangement for pilot

**10** = one setting ; venting with de-energized solenoid  
**11** = one setting ; venting with energized solenoid  
**22** = two settings ; without venting  
**20** = two settings ; venting with de-energized solenoid  
**21** = two settings ; venting with energized solenoid  
**32** = three settings ; without venting

Type of pilot (see pilots table)

**34** = 3/4" Bsp **114** = 1"1/4 Bsp

In - line pressure relief