

IN-LINE CUT-OFF VALVE



Characteristics

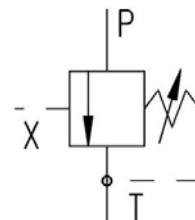
TYPE	MAX FLOW	MAX PRESSURE	WEIGHT
VMEL-34	120 l/min.	350 bar	Kg. 4.5
VMEL-114	300 l/min.	350 bar	Kg. 6.5

Description

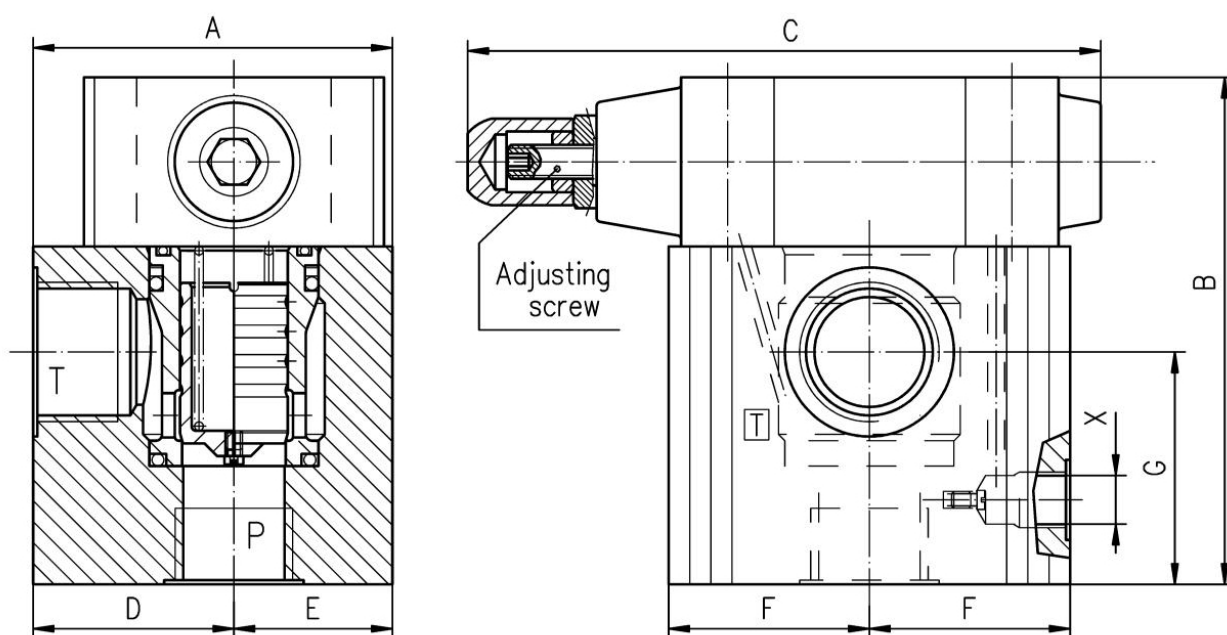
Two-stage cut-off valve equipped with balanced poppet, designed to operate in hydraulic systems.

The piloting pressure of the poppet, placed in the upper stage, is adjusted by a screw (clockwise the pressure increases).

Symbol



Dimensions



TYPE	A	B	C	D	E	F	G	X	P	T
VMEL-34	85	120	143	47.5	37.5	47.5	55	1/4" Bsp	3/4" Bsp	1" Bsp
VMEL-114	102	133	143	65	37	47.5	58	1/4" Bsp	1" 1/4 Bsp	1" 1/2 Bsp

Installation rules

- The valves type VMEL can be mounted in any position.
- Fluid to be used: hydraulic oil in compliance with DIN 51524 rules, viscosity between 30 and 100 mm²/s (cSt) at 40°C
- Recommended filtration: 25µ
- Hydraulic fluid temperature: from -20° to +80°C

Ordering code

VMEL - ** / *** / **

Synthetic fluids: /WG = water-glycol /PE = phosphate-ester

Pressure setting range : 100=06-100 bar 210=50-210 bar 350=100-350 bar

34 = 3/4" BSP 114 = 1 1/4" BSP

In-line cut - off valve