

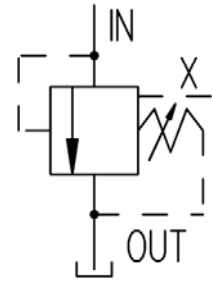
# CETOP-08R PRESSURE RELIEF VALVE



## Characteristics

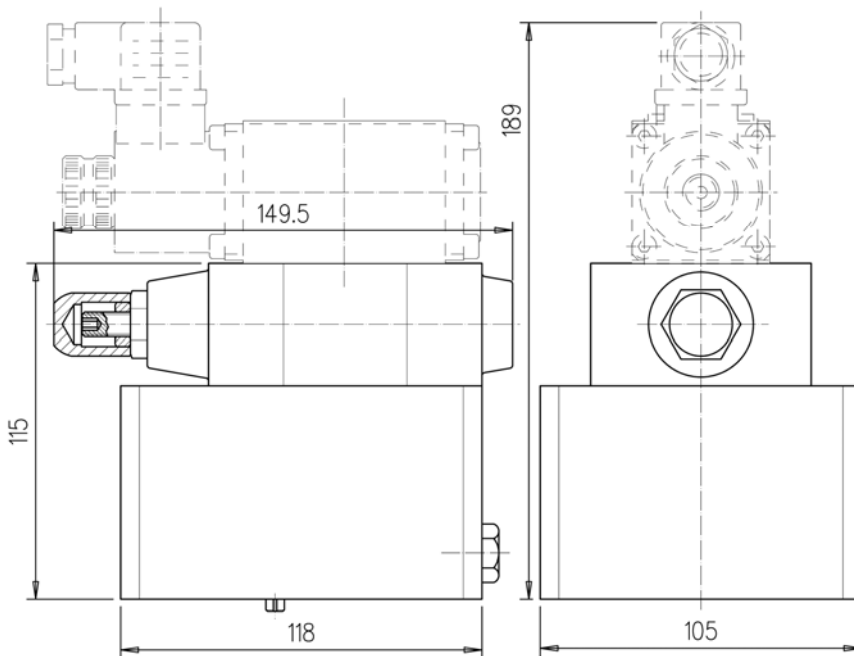
TYPE	MAX FLOW	MAX PRESSURE	WEIGHT
VM-08R	200 l/min.	350 bar	Kg. 6.5

## Symbol

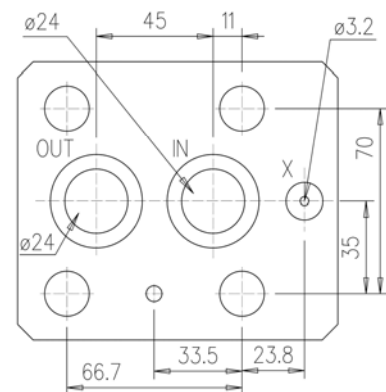


**Description** Two-stage pressure relief valve equipped with balanced poppet, designed to operate in hydraulic systems. The piloting pressure of the poppet, placed in the upper stage, is adjusted by a screw (clockwise the pressure increases). It can be supplied with venting solenoid valve.

## Dimensions



<b>Gaskets</b>
N°2 OR-4112
N°1 OR-109
<b>Fastening screws</b>
N°4 VTCE M16x70



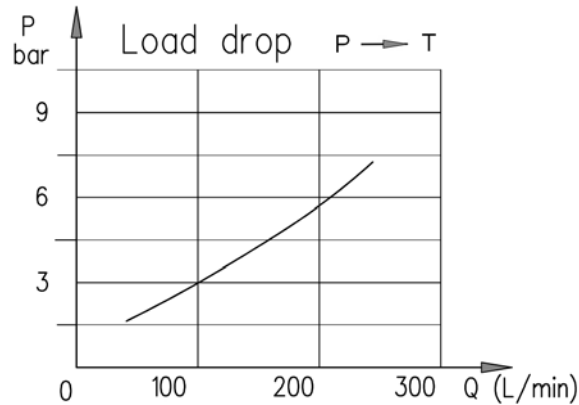
## Installation rules

- The valves type VM can be mounted in any position.
- Fluid to be used: hydraulic oil in compliance with DIN 51524 rules, viscosity between 30 e 100 mm<sup>2</sup>/s (cSt) at 40°C
- Recommended filtration: 25μ
- Hydraulic fluid temperature: from -20° to +75°C

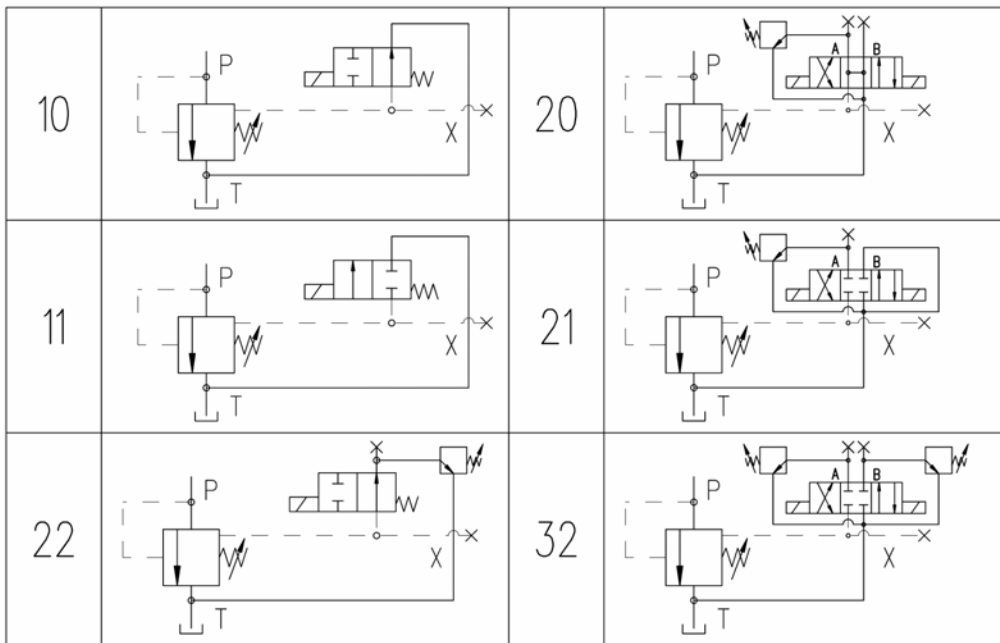
# CETOP-08R PRESSURE RELIEF VALVE



## Diagrams



## Pilots table



## Ordering code

VM-08R / \* / \*\*\* / \* / \* / \*\*\*\*\* / \*\* / \*

**V** = with handwheel

Synthetic fluids: **WG** = water-glycol **PE** = phosphate ester

Supply voltage :	Direct current	Alternate current
	<b>12DC</b>	<b>110/50/60</b>
	<b>24DC</b>	<b>230/50/60</b>
	<b>28DC</b>	<b>48/50</b>
	<b>110 RC</b>	(other voltages on request)

**X** = without connector  
**N** = with DIN-43650 IP-65 connector  
**Q** = connector with built-in rectifier bridge

**D** = external drain 1/4" BSP

Pressure range diagram : **100**=06-100 bar **210**=07-210 bar **350**=08-350 bar

Type of pilot (see pilots table)

**P** = pre-arrangement for pilot

<b>10</b>	= one setting ; venting with de-energized solenoid
<b>11</b>	= one setting ; venting with energized solenoid
<b>22</b>	= two settings ; without venting
<b>20</b>	= two settings ; venting with de-energized solenoid
<b>21</b>	= two settings ; venting with energized solenoid
<b>32</b>	= three settings ; without venting

CETOP-08R pressure relief valve