



## Characteristics

TYPE	SETTING RANGE	PROOF PRESSURE	BURST PRESSURE
ISPH-060/ *- *- CE	0 ÷ 60 bar	2 x rated pressure	400 bar
ISPH-100/ *- *- CE	0 ÷ 100 bar		500 bar
ISPH-250/ *- *- CE	0 ÷ 250 bar		1000 bar
ISPH-400/ *- *- CE	0 ÷ 400 bar		1500 bar
ISPH-600/ *- *- CE	0 ÷ 600 bar		2000 bar

## Description

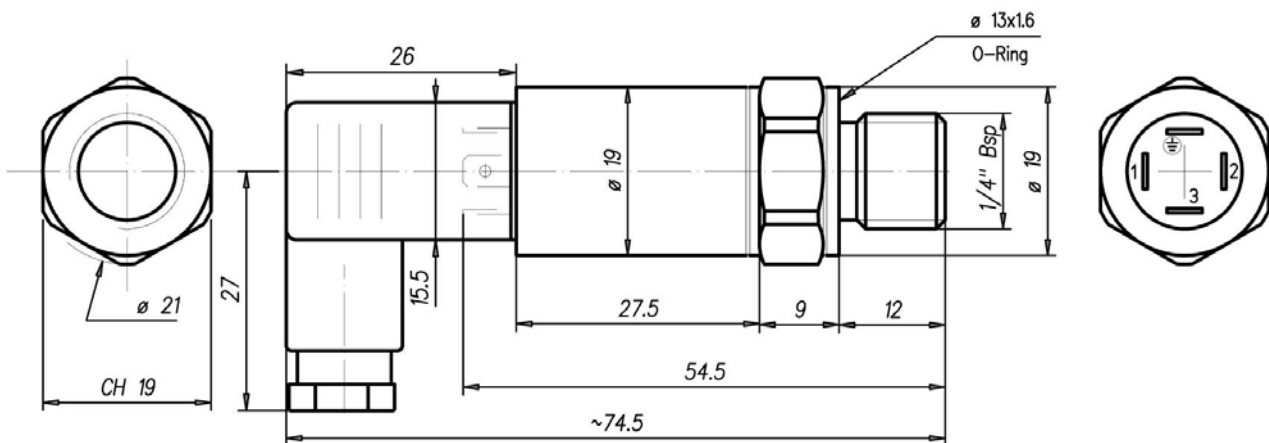
The pressure transducers type ISPH give an output signal ( tension or current ) proportional to the incoming hydraulic pressure.

The design and machining of the body from a stainless steel solid piece make these components suitable for mobile and industrial use.

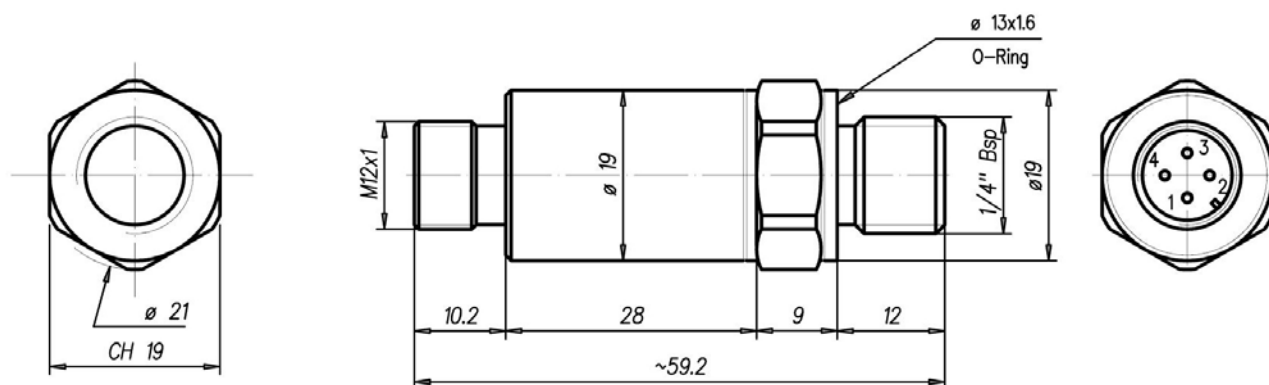
The pressure transducers ISPH meet latest CE standards and offer a wide selection of configuration: according to the electric connection, output and hydraulic connection.

## Dimensions

### Hirshman DIN-43650C (Standard)



### Metric M12x1 4 PIN (On request )



# PRESSURE TRANSDUCERS



## Technical specifications

<b>Sensor</b>	Thin film on steel
<b>Measuring range</b>	0 ÷ 60 to 0 ÷ 600 bar
<b>Output Signal</b>	4 ÷ 20 mA ; 0 ÷ 10 VDC

<b>Operating temperature</b>	-25 + 85°C (standard)
	-40 + 125°C ( "E" option)
<b>Media temperature</b>	-25 + 85°C (standard)
	-40 + 125°C ( "E" option)
<b>Protections</b>	IP65; IP67 ( "M" option)
<b>Humidity</b>	Max 95% relative
<b>Vibration</b>	25g (20 ÷ 2000Hz)
<b>Shock</b>	100 g/6ms half Sin

<b>Emission</b>	EN/IEC 61000-6-3
<b>Immunity</b>	EN/IEC 61000-6-2

<b>Output</b> 4 ÷ 20 mA / <b>Supply voltage</b> 24 (9 ÷ 32 ) VDC
<b>Output</b> 0 ÷ 10 VDC / <b>Supply voltage</b> 24 (15 ÷ 32 ) VDC

<b>Rise time</b>	typ. 1 ms/10 ÷ 90% nominal pressure
<b>Switch-on delay</b>	100 ms
<b>Inverse-polarity protection, short-circuit strenght @ 25°C during 5 min.</b>	4...20 mA: to $U_{supply} = 32 V$
	0...10 VDC, 0...5 VDC
	1...6 VDC: to $U_{supply} = 28 V$ 0.5...4.5 VDC ratiometrisch: to $U_{supply} = 14 V$

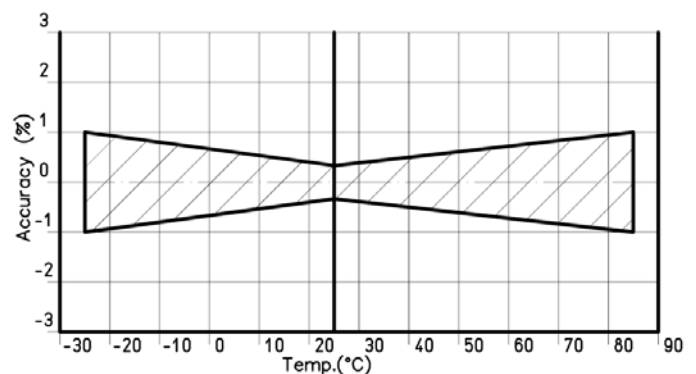
<b>Output</b>	<b>Load resistance</b>
4 ÷ 20 mA	$(U_{SUPPLY} - 9V)/20mA$
0 ÷ 10 VDC	$\geq 5 k\Omega$

<b>Material sensor</b>	1.4542 (AISI 630)
<b>Material Housing</b>	1.4301 (AISI 304)
<b>Material O-Ring (media contacting)</b>	NBR or EPDM
<b>Mounting torque</b>	25 Nm
<b>Weight</b>	~ 50 g.

<b>TEB @ -25 + 85°C</b>	$\pm 1.0$ [%fs Typ]
<b>Accuracy @ + 25°C</b>	$\pm 0.3$ [%fs Typ]
<b>NLH @ + 25°C (BSL through 0)</b>	$\pm 0.2$ [%fs Typ]
<b>TC zero point and span</b>	$\pm 0.01$ [%fs/K Typ]
<b>Long term stability 1 year @ + 25°C</b>	$\pm 0.2$ [%fs Typ]

Electric connection	Hirshman DIN-43650C IP-65	Metric M12x1, 4-pin IP-67
<b>Output signal</b>		
	2 1 $\ominus$ (4)	1 3 $\ominus$ (4)
	1 2 3 $\ominus$ (4)	1 2 3 $\ominus$ (4)

TEB ( Total error band) output signal



## Ordering code

