

# DOUBLE PUMPS - RADIAL PISTON PUMPS + GEAR PUMPS

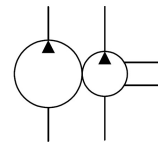


## Caracteristics

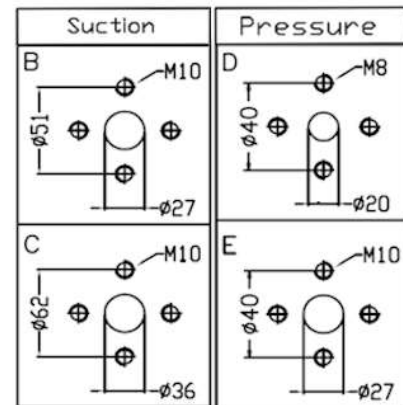
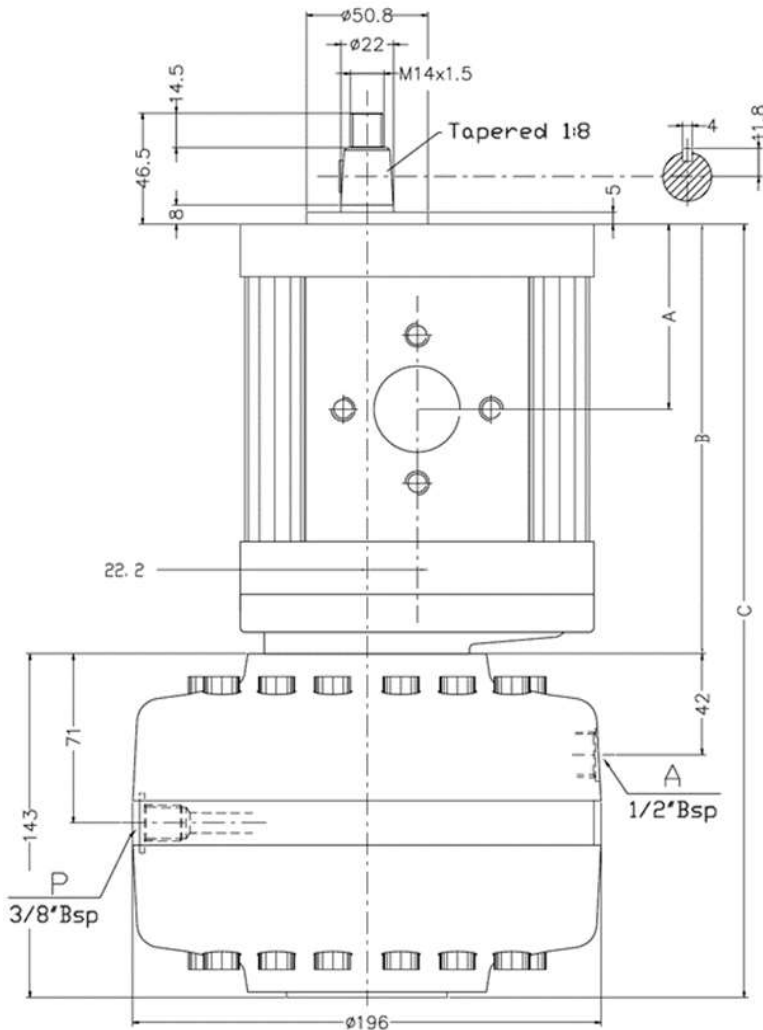
Type	cm <sup>3</sup> /rev BP	L/m BP 1450 rev/m	P max BP	cm <sup>3</sup> /rev AP	L/m AP 1450 rev/m	Pmax AP	A	B	C	Suction	Pressure	Weight Kg
IPFRG3-33/R14-88	33.10	48	250	8,8	12,5	500	67	159	302	Type B	Type D	14
IPFRG3-33/R14-127				12,7	17,9	350						
IPFRG3-44/R14-88	44.10	63.9		8,8	12,5	500	71	167	310		Type E	15
IPFRG3-44/R14-127				12,7	17,9	350						
IPFRG3-55/R14-88	88.20	127	150	8,8	12,5	500	87	199	342	Type C	16	
IPFRG3-90/R14-127				12,7	17,9	350						19

**Descriptions** Two-stage pump with fixed displacement IPFRG3-../R14.

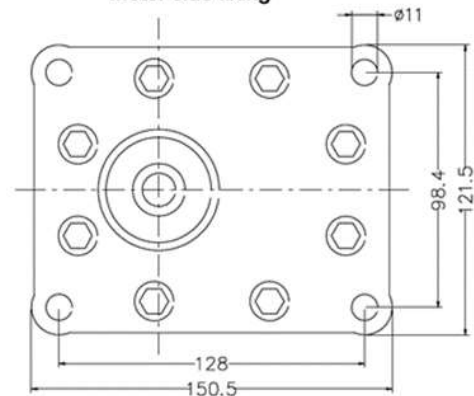
## Symbol



## Dimensions



## Motor side fixing



# DOUBLE PUMPS - RADIAL PISTON PUMPS + GEAR PUMPS



## Installation rules

- Two-stage pump with fixed displacement
- BP gear pump flanged in axis with AP radial piston pump
- Fixing : flange type on shaft side
- Direction of rotation : Standard clockwise
- Rotation speed : 900-1800 g/m Installation : external or submersed to be specified
- Ambient temperature range : -20°C to +80°C
- Recommended filtration : mineral oil according to DIN 51524-51525
- Fluid viscosity range : 16-300cSt (2,4-40°E), (recommended 16-35 cSt )
- Oil contamination level: ISO 16/13 – Recommended filters 25 : 60  $\mu$  (either feed or return filter)

## Ordering code

<b>IPFRG3</b>	-	<b>**</b>	-	<b>/ R14</b>	-	<b>**</b>
						<b>88</b> = 8,8 cm <sup>3</sup> /rev <b>127</b> = 12,7 cm <sup>3</sup> /rev
		<b>33</b>		<b>44</b>		<b>55</b> <b>90</b>
						= 33,1 cm <sup>3</sup> /rev    = 44,1 cm <sup>3</sup> /rev    = 55,1 cm <sup>3</sup> /rev    = 88,20 cm <sup>3</sup> /rev
Two-stage pump with fixed displacement						