

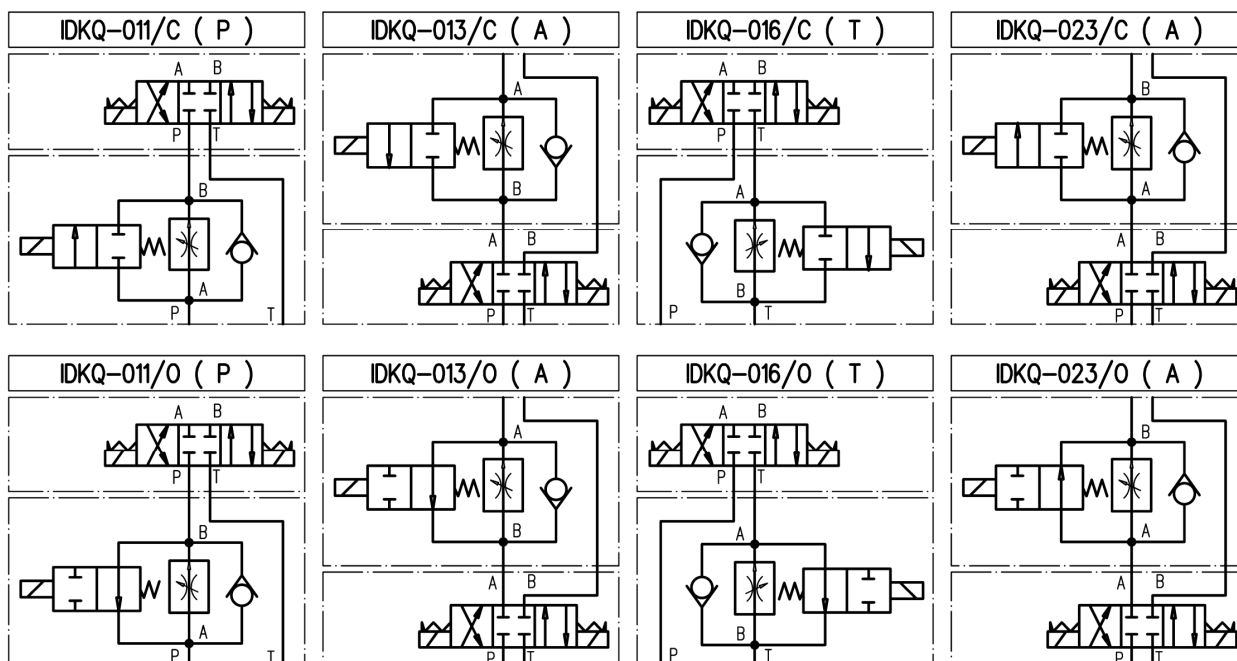


Characteristics

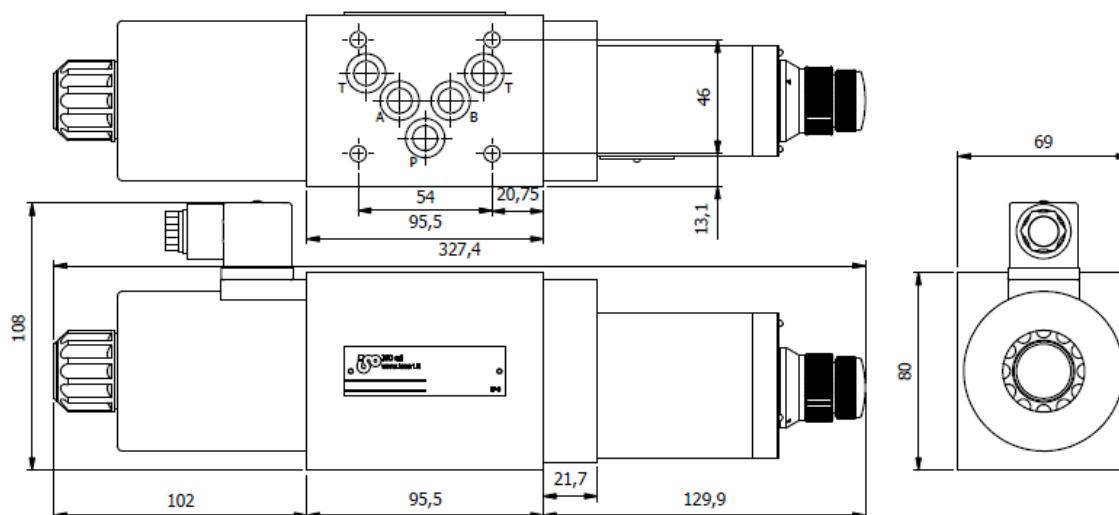
TYPE	COMPENSATED FLOW REGULATOR	ADJUSTABLE MINIMUM FLOW	MAX CHECK FLOW	MAX FREE FLOW	MAX PRESSURE	WEIGHT
IDKQ-0**/*1	1.5 l/min.	100 Cm ³ /min.	24 l/min.	75 l/min.	250 bar	Kg. 5
IDKQ-0**/*6	6 l/min.					
IDKQ-0**/*11	11 l/min.					
IDKQ-0**/*16	16 l/min.					
IDKQ-0**/*24	24 l/min.					

Description Cetop-05 modular fast/slow valves

Symbols



Dimensions

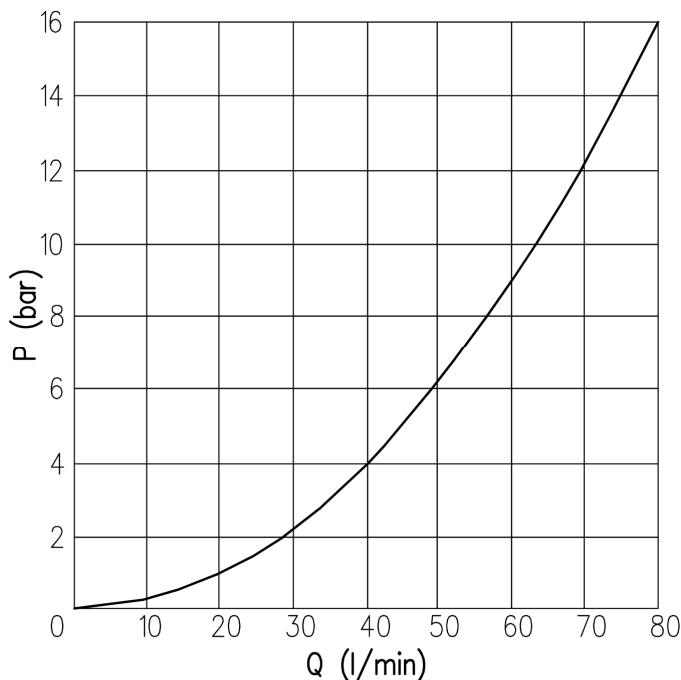




Diagrams

Installations rules

Free flow energized/de-energized valve



- IDKQ can be mounted in any position
- Fluid to be used: hydraulic oil according to DIN 51524 with viscosity between 30 and 100 mm²/s (cSt) at 40°C
- Filtering degree of used liquid: 25μ
- Hydraulic fluid temperature: from -20° to +75°C

Ordering code

IDKQ-0 **** / * / ** / * / *******

Tensions:

direct current	
12DC	110
24DC	220
48DC	
110DC	

X = without connector
N = DIN-43650 IP-65 connector
Q = connector with rectifier bridge

Maximum adjustable flow: **01** = 1,5 l/min; **06** = 6 l/min; **11** = 11 l/min;
16 = 16 l/min; **24** = 24 l/min;

Control type **C** = flow controlled when solenoid is de-energized
O = flow controlled when solenoid is energized

Type of configuration (vedi tabella simboli)

13	= on A port - flow discharged from actuator
14	= on B port - flow discharged from actuator
16	= on T port - flow discharged from actuator
11	= on P port - flow entering the actuator
23	= on A port - flow entering the actuator
24	= on B port - flow entering the actuator

Cetop-05 modular fast/slow solenoid valve